

- Home
- Newsletter
- Contact us
- How to buy
- OEM systems



WF118WA01/02 4½" paper cone mid/woofer, 4/8 ohm

Nominal impedance is 4 ohm for WF118WA01 and 8 ohm for WF118WA02. Otherwise the two models are identical.

WF118WA01/02 are mid/woofers designed for demanding bass and midrange applications. It works equally well for high-end hi-fi, high quality home theater systems, and top multimedia setups.

Powered by a large 85mm magnet structure that ensures good efficiency and optimal T/S parameters.

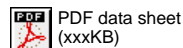
The large 32mm voice coil ensures high power handling - thermally and mechanically

The optimized paper cone ensures large bandwidth and low distortion. Distortion is further reduced by efficient venting and an alu shorting ring stabilizing the magnetic field in the air gap.

WF118WA01/02 are excellent choices for very compact 2-way speaker systems or even as midrange in multi-way systems.



MORE INFO



[Specifications in electronic formats](#)

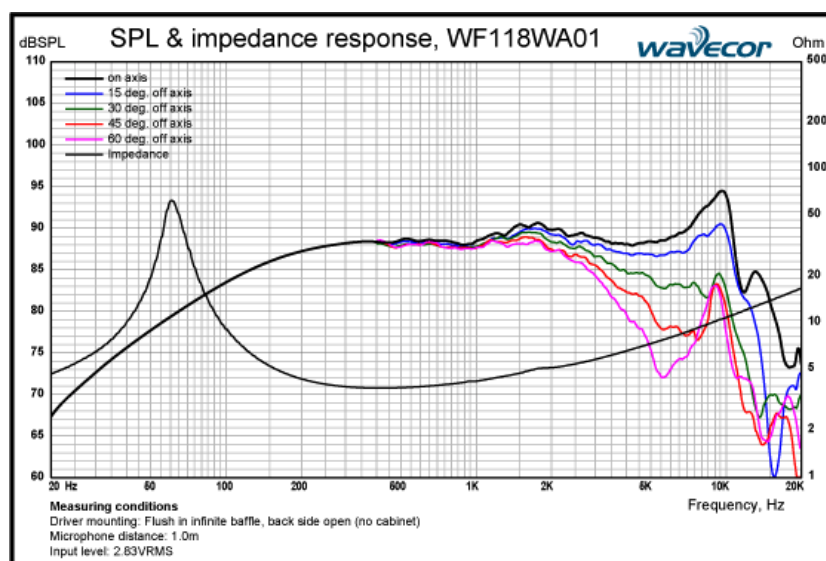
[List of all mid/woofers](#)

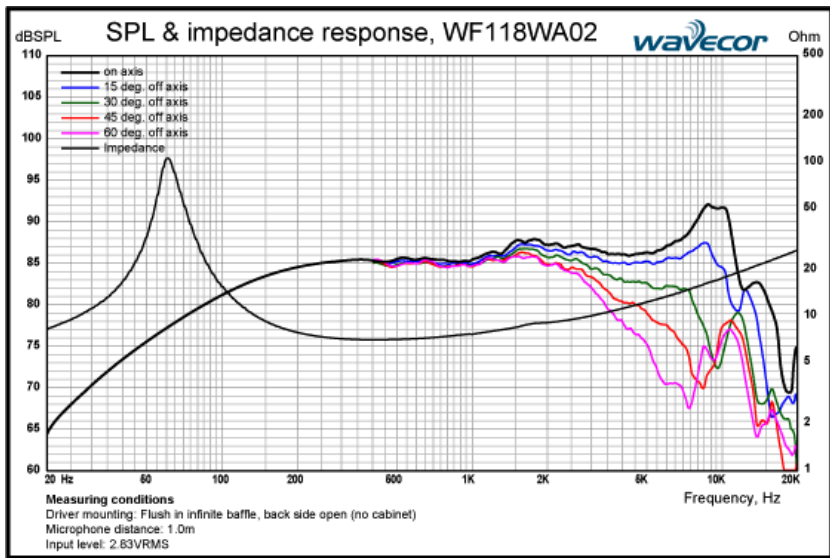
[All Wavecor drive units](#)

FEATURES

- Alu field-stabilizing ring inside magnet assembly for reduced high-level distortion
- Vented voice coil former for reduced distortion and compression
- New vented chassis for lower air flow speed reducing audible distortion
- Voice coil wound with Copper Clad Aluminium Wire for higher efficiency and better dynamics
- Heavy-duty black fiber glass voice coil bobbin to increase power handling and reduce mechanical losses resulting in better dynamic performance and low-level details
- Large motor system with 1¼" voice coil diameter and 85mm magnet for better control and efficiency
- Black magnet parts for better heat transfer to increase power handling
- Long linear stroke motor for reduced distortion at high levels
- New progressive suspension with specially designed CONEX damper (spider) for long durability under extreme operating conditions
- Gold plated terminals to prevent oxidation for long-term reliable connection

FREQUENCY RESPONSE



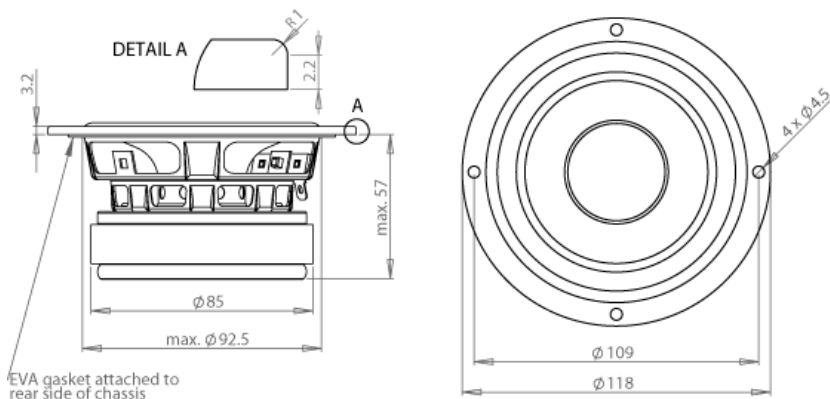


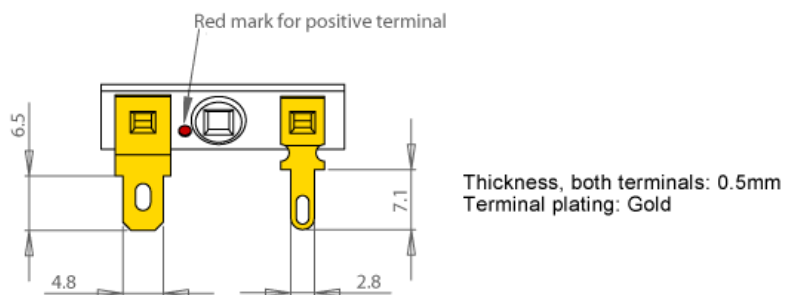
NOMINAL SPECIFICATIONS (preliminary)

Parameter	Value WF118WA01 / WF118WA02
Nominal size	4 1/2 [inch.]
Nominal impedance	4 / 8 [ohm]
Recommended upper frequency limit	4 [kHz]
Recommended cabinet volume	2-4 [lit.]
Sensitivity, 2.83V/1m, (average 500-4,000Hz)	87 / 84 [dB]
Voice coil diameter	32.5 [mm]
Voice coil height	11 [mm]
Air gap height	5 [mm]
Voice coil resistance, R _{DC}	3.2 / 6.3 [ohm]
Voice coil inductance	0.12 / 0.20 [mH]
Magnet weight	325 [g]
Effective radiating area, S _d	55 [sq.cm]
Power handling, continuous, IEC 268-5	50 [W]
Resonance freq., F _s	64 / 65 [Hz]
Moving mass, incl. air	6.2 / 6.0 [g]
Force factor, BxI	4.6 / 5.8 [Tm]
Mechanical Q, Q _m	8.8 -
Electrical Q, Q _e	0.38 / 0.46 -
Total Q, Q _t	0.36 / 0.44 -
Suspension compliance, C _{ms}	1.0 [mm/N]
Equiv. air volume, V _{as}	4.3 [lit.]
Total unit net weight	0.95 [kg]

Specifications are before burn-in

OUTLINE DRAWING AND NOMINAL DIMENSIONS (mm)



TERMINAL NOMINAL DIMENSIONS (mm)**PACKAGING AND ORDERING INFORMATION**

Part no. WF118WA01-01	4 ohm version, individual packaging (one piece per box)
Part no. WF118WA01-02	4 ohm version, bulk packaging
Part no. WF118WA02-01	8 ohm version, individual packaging (one piece per box)
Part no. WF118WA02-02	8 ohm version, bulk packaging

Specifications are subject to change without any further notice.
Copyright © 2006-2008 by Wavecor Ltd., Guangzhou, China. All rights reserved.