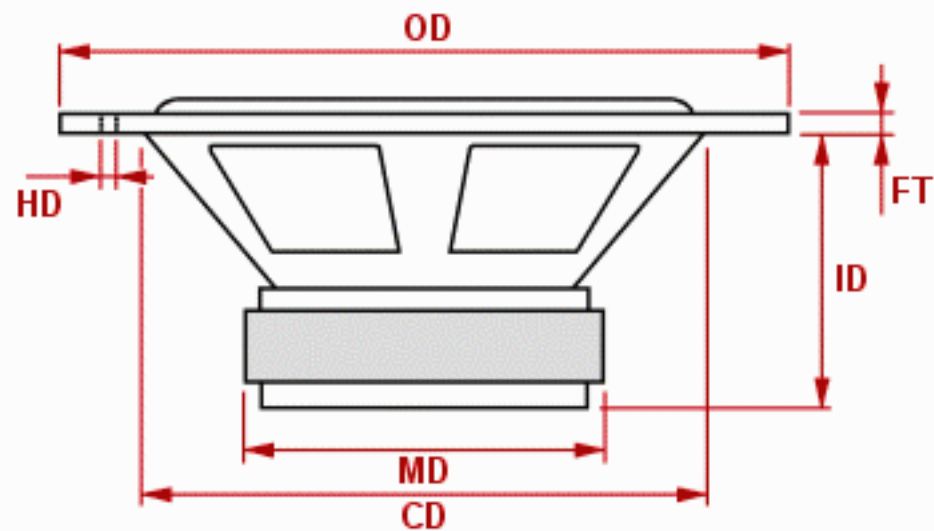


# PL14WJ09-08



OD: 149 mm      CD: 115 mm  
FT: 4.5 mm      ID: 61 mm  
MD: 86.5 mm    HD: -



Nominal impedance	8
Voice coil resistance	5.8
Nominal power [W]	50
Short term max power [W]	250
Long term max power [W]	200
Operating power [W]	10
Sensitivity [dB]	86
Frequency range [kHz]	45-5000
Free air resonance [Hz]	47
Voice coil diameter [mm]	32
Voice coil height [mm]	10
Air gap height [mm]	4
Voice coil inductance [mH]	0.49
Effective diaphr. Area [cm <sup>2</sup> ]	80
Moving mass [g]	8.2
Magnet weight [g]/[oz]	415/14.6
Force factor, BL	5.5
Uas [l]	13
Qms	2.20
Qes	0.46
Qts	0.38

## Special features

- Magnesium basket
- NR-surround
- NRSC-cone
- Wide, low damping rubber surround
- Large diameter voice coils

