

GENERAL CHARACTERISTICS

| | | |
|-----------------------------------|-------|----|
| Nominal Overall Diameter | 16x20 | cm |
| Nominal Voice Coil Diameter | 25 | mm |
| Magnet Weight | 380 | g |
| Flux Density..... | 1.70 | T |
| Weight..... | 1.10 | Kg |

THIELE-SMALL PARAMETERS

| | | | |
|------------------------------------|-------|-------|----|
| Voice Coil DC Resistance | R_E | 12.00 | Ω |
| Resonance Frequency | f_s | 1500 | Hz |
| Voice Coil Inductance @ 1kHz | L_E | 1.03 | mH |

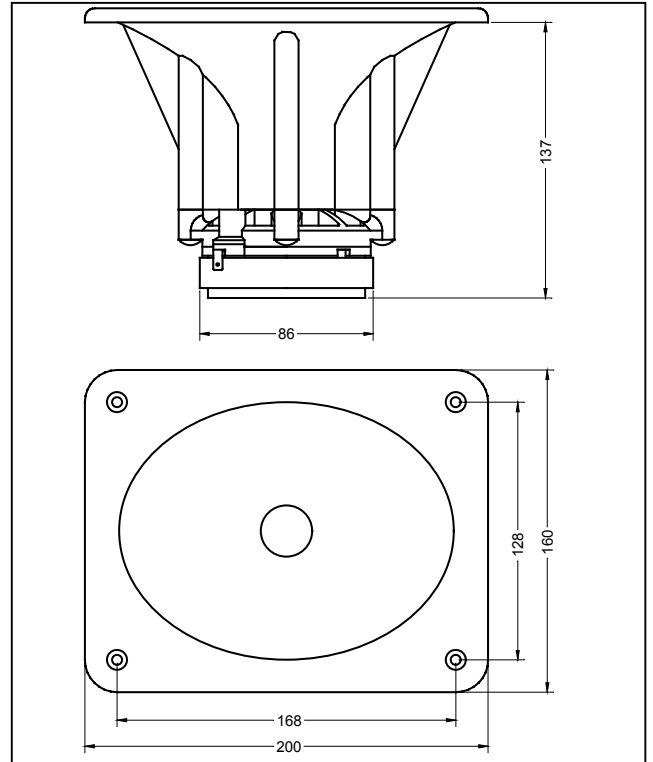
CONSTRUCTIVE CHARACTERISTICS

| | |
|---------------------------------|---------------------|
| Magnet..... | Ferrite |
| Voice Coil Winding..... | Aluminium Flat Wire |
| Voice Coil Former..... | Kapton |
| Voice Coil Winding Height | 2.1mm |
| Diaphragm | Tri-acetate Film |
| Air Gap Height..... | 2mm |
| Ferrofluid in Air Gap | No |
| Throat Diameter | 25mm |
| Horn..... | ABS |

NOTES

ELECTRICAL CHARACTERISTICS

| | | |
|------------------------------|-------|----|
| Nominal Impedance..... | 16 | Ω |
| Musical Power | 40 | W |
| Rated Power* | 20 | W |
| Sensitivity @ 1 W, 1 m | 107.3 | dB |



*rated power measured with 2 hours test with continuous pink noise signal, 6 dB crest factor, HP filter 3kHz-12dB/Oct

Free Air Frequency Response with horn @ 1 W, 1 m - Impedance (without horn)

