

GENERAL CHARACTERISTICS

Nominal Overall Diameter	140	mm
Nominal Voice Coil Diameter	25	mm
Magnet Weight	245	g
Flux Density.....	1.56	T
Weight.....	0.75	Kg

THIELE-SMALL PARAMETERS

Voice Coil DC Resistance	R_E	6.30	Ω
Resonance Frequency	f_s	1500	Hz
Voice Coil Inductance @ 1kHz	L_E	0.72	mH

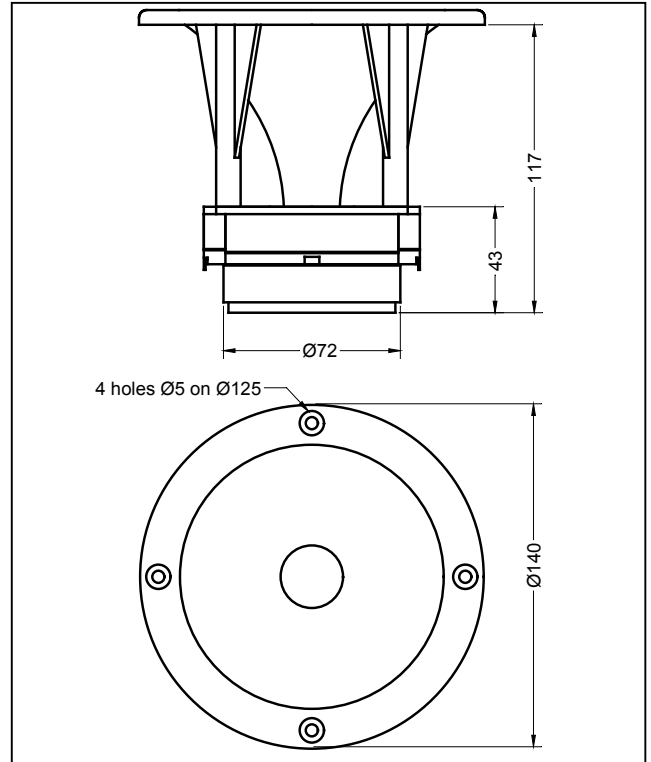
CONSTRUCTIVE CHARACTERISTICS

Magnet.....	Ferrite
Voice Coil Winding.....	Copper
Voice Coil Former.....	Kapton
Voice Coil Winding Height.....	1.7 mm
Diaphragm	Tri-acetate Film
Air Gap Height.....	2 mm
Ferrofluid in Air Gap	No
Throat Diameter	25 mm
Horn.....	Plastic

NOTES

ELECTRICAL CHARACTERISTICS

Nominal Impedance.....	8	Ω
Musical Power	32	W
Rated Power*	16	W
Sensitivity @ 1 W, 1 m	105.2	dB



*rated power measured with 2 hours test with continuous pink noise signal, 6 dB crest factor, HP filter 3kHz-12dB/Oct

Free Air Frequency Response with horn @ 1 W, 1 m - Impedance (without horn)

