

## 1" - 40W Compression Driver

CD 83.26/380 TW 8 Ω

Code Z009470

### GENERAL CHARACTERISTICS

Nominal Overall Diameter .....	83	mm
Nominal Voice Coil Diameter .....	25	mm
Magnet Weight .....	380	g
Flux Density.....	1.70	T
Weight.....	0.80	Kg

### THIELE-SMALL PARAMETERS

Voice Coil DC Resistance .....	$R_E$	5.50	Ω
Resonance Frequency .....	$f_s$	1500	Hz
Voice Coil Inductance @ 1kHz .....	$L_E$	1.12	mH

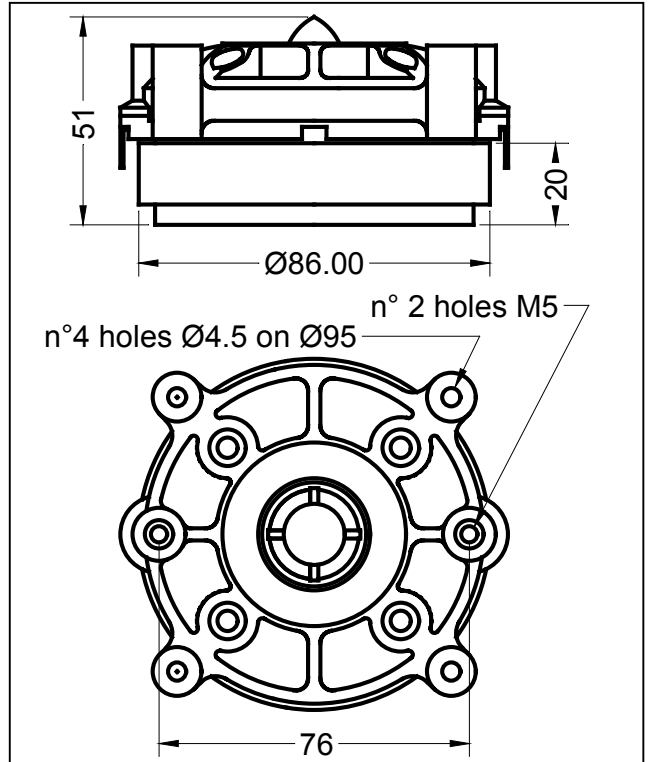
### CONSTRUCTIVE CHARACTERISTICS

Magnet.....	Ferrite
Voice Coil Winding.....	Aluminium Flat Wire
Voice Coil Former.....	Kapton
Voice Coil Winding Height.....	2.1mm
Diaphragm .....	Tri-acetate Film
Air Gap Height.....	2 mm
Ferofluid in Air Gap .....	No
Throat Diameter .....	25 mm
Horn.....	- - -

### NOTES

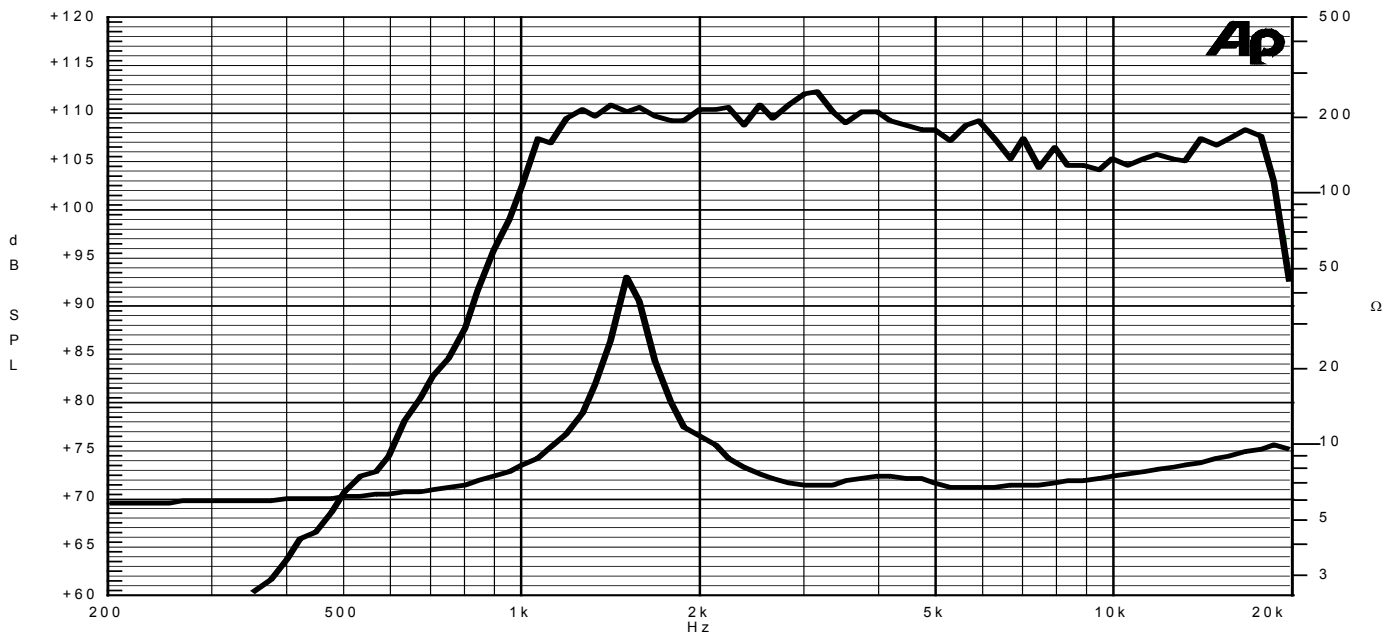
### ELECTRICAL CHARACTERISTICS

Nominal Impedance.....	8	Ω
Musical Power .....	40	W
Rated Power* .....	20	W
Sensitivity @ 1 W, 1 m .....	107.3	dB



\*rated power measured with 2 hours test with continuous pink noise signal, 6 dB crest factor, HP filter 3kHz-12dB/Oct

Free Air Frequency Response with 6x8 inches horn @ 1 W, 1 m - Impedance (without horn)



Due to continuing product improvement, the features and the design are subject to change without notice.

10/03/05