

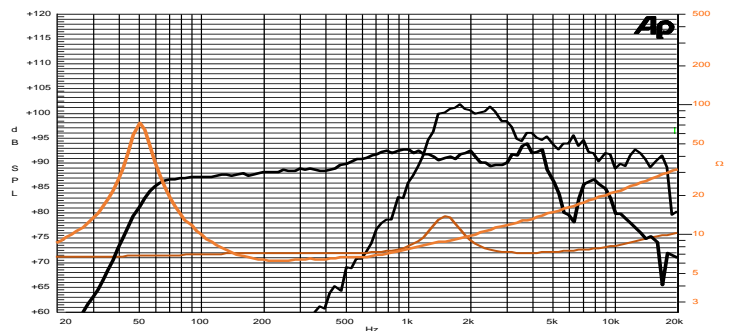
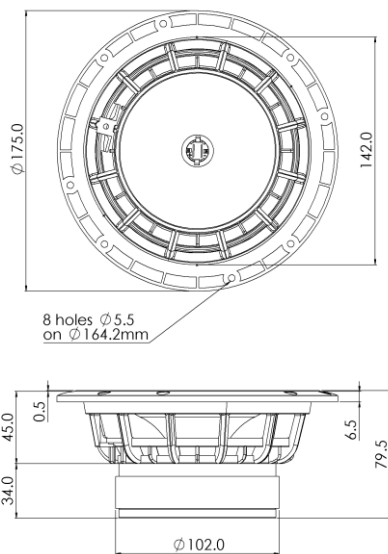
6,5 C 1,5 CP 8+8Ω

Coaxial

6,5" | 240 W

Code Z004102

- LF 1,5" voice coil Kapton former
- HF Treated Silk dome 1" voice coil
- DAR** Rubber surround with Double Asymmetric Rolls Technology (DAR)
- DT** Damping Cone Treatment
- LF Ferrite Magnet Circuit
- HF Neodymium Magnet Circuit
- 91.0 dB sensitivity
- Frequency Range 55-18000 Hz



Frequency Response on 18 Lt @ 55 Hz Vented Box @ 1W, 1m
Free Air Impedance

General Specifications	LF Unit	HF Unit
Nominal Diameter	174 mm (6,5")	
Nominal Impedance	8 Ω	8 Ω
Rated Power AES ⁽¹⁾	120 W	
Continuous Program Power ⁽²⁾	240 W	
Sensitivity @ 1W/1m ⁽³⁾	91.0 dB	93.9 dB
Voice Coil Diameter	38 mm (1,5 in)	25 mm (1 in)
Voice Coil Winding Depth	12 mm	1.7 mm
Magnetic Gap Depth	5 mm	2 mm
HF Recomm. Crossover Frequency ⁽⁴⁾	3.0 kHz	
Magnet Weight	515 g	14 g
Net Weight	1.7 kg	

Thiele & Small Parameters ⁽⁵⁾			
Re (LF)	5.1 Ω	Fs (LF)	50.8 Hz
Re (HF)	6.0 Ω	Fs (HF)	1500 Hz
Qms	6.09	Qes	0.42
Qts	0.39	Mms	13.1 g
Cms	745 μm/N	Bxl	7.21 Tm
Vas	15.9 l	Sd	122.7 cm ²
X max ⁽⁶⁾	+/-4.5 mm	X var ⁽⁷⁾	+/-8.0 mm
η _o	0.48 %	Le (1kHz)	0.44 mH

Constructive Characteristics

Magnet	Ferrite (LF) / Neodymium (HF)
Basket Material	Aluminium Die-Cast
LF Voice Coil Winding/Former Material	Copper / Kapton
HF Voice Coil Winding/Former Material	Copper / Aluminium
LF Cone Material	Paper
HF Dome Material	Treated Silk
Surround Material	Rubber
HF Spare Part Code	Z008955

Mounting Information

Overall Diameter	175 mm
Baffle Cutout Diameter	143 mm
Mounting Holes	8 holes ø5,5 on ø164,2 mm
Total Depth	79.5 mm

(1) Rated Power measured with 2-hour test with pink noise signal, 6dB crest factor, loudspeaker in free air, power calculated on rated Zmin. (2) Power on Continuous Program is defined as 3dB greater than the Rated Power. (3) Calculated by Thiele & Small parameters, for SPL average in box refer to frequency response. (4) Minimum crossover frequency, 12dB/oct or higher order high-pass filter. (5) Thiele & Small parameters measured with laser system after preconditioning test. (6) Measured with respect to a THD of 10%. (7) Value corresponding to a decay of the Force Factor, or Compliance, or both, equal to the 50% of the small signal value. (8) Drawing dimensions: mm.