

GENERAL CHARACTERISTICS

| | | |
|-----------------------------------|------|----|
| Nominal Overall Diameter | 129 | mm |
| Nominal Voice Coil Diameter | 32 | mm |
| Magnet Weight | 426 | g |
| Flux Density..... | 1.10 | T |
| Weight..... | 1.30 | Kg |

THIELE-SMALL PARAMETERS

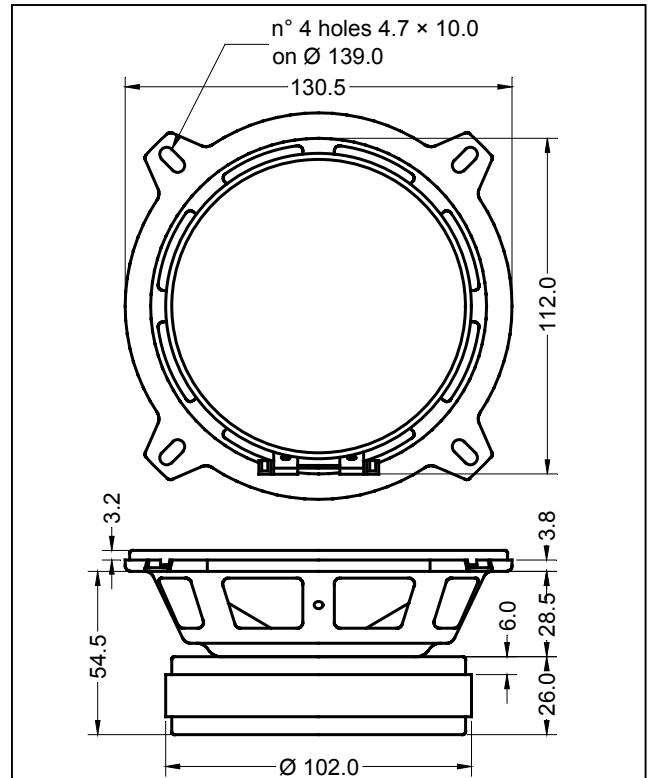
| | | | |
|------------------------------------|--------------|--------|-----------------|
| Voice Coil DC Resistance | R_E | 5.84 | Ω |
| Resonance Frequency | f_s | 92.8 | Hz |
| Mechanical Q Factor..... | Q_{MS} | 3.21 | |
| Electrical Q Factor..... | Q_{ES} | 0.47 | |
| Total Q Factor | Q_{TS} | 0.39 | |
| Mechanical Moving Mass | M_{MS} | 6.8 | g |
| Mechanical Compliance | C_{MS} | 431 | μm/N |
| Force Factor | $B \times l$ | 7.07 | Wb/m |
| Equivalent Acoustic Volume..... | V_{AS} | 3.7 | lt. |
| Maximum Linear Displacement | X_{MAX} | +/-1.5 | mm |
| Reference Efficiency | η_0 | 0.62 | % |
| Diaphragm Area | S_D | 78.5 | cm ² |
| Losses Electrical Resistance..... | R_{ES} | 29.1 | Ω |
| Voice Coil Inductance @ 1kHz | L_E | 0.39 | mH |

CONSTRUCTIVE CHARACTERISTICS

| | |
|-------------------------|---------------------|
| Magnet..... | Ferrite |
| Voice Coil Winding..... | Copper |
| Voice Coil Former..... | Epotex |
| Cone | Paper |
| Surround..... | Rubber |
| Dust Dome | Treated Cloth |
| Basket | Pressed Sheet Steel |

ELECTRICAL CHARACTERISTICS

| | | |
|------------------------------|------|----|
| Nominal Impedance..... | 8 | Ω |
| Musical Power | 120 | W |
| Rated Power* | 60 | W |
| Sensitivity @ 1 W, 1 m | 91.3 | dB |



*rated power measured with 2 hours test with pink noise signal, 6 dB crest factor, loudspeaker mounted on enclosure

Frequency Response on IEC Baffle (DIN 45575) @ 1 W, 1 m - Impedance

