

#### GENERAL CHARACTERISTICS

Nominal Overall Diameter .....	388	mm
Nominal Voice Coil Diameter .....	75	mm
Magnet Weight .....	1800	g
Flux Density.....	1.18	T
Weight.....	8.50	Kg

#### THIELE-SMALL PARAMETERS

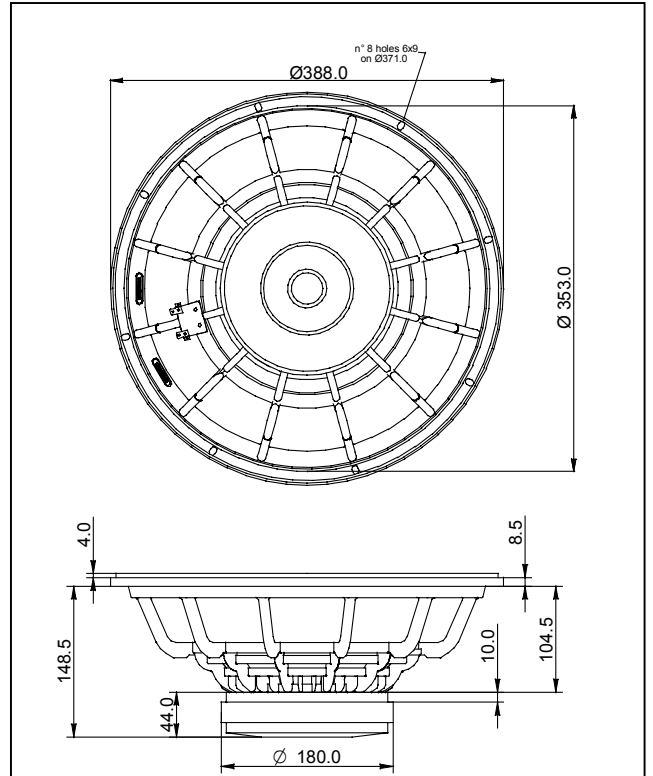
Voice Coil DC Resistance .....	$R_E$	5.27	Ω
Resonance Frequency .....	$f_s$	46.4	Hz
Mechanical Q Factor.....	$Q_{MS}$	14.57	
Electrical Q Factor.....	$Q_{ES}$	0.34	
Total Q Factor .....	$Q_{TS}$	0.33	
Mechanical Moving Mass .....	$M_{MS}$	78.3	g
Mechanical Compliance .....	$C_{MS}$	151	μm/N
Force Factor .....	$B \times l$	18.90	Wb/m
Equivalent Acoustic Volume.....	$V_{AS}$	121.3	lt.
Maximum Linear Displacement ....	$X_{MAX}$	+/-2.5	mm
Reference Efficiency .....	$\eta_0$	3.46	%
Diaphragm Area .....	$S_D$	754.8	cm <sup>2</sup>
Losses Electrical Resistance.....	$R_{ES}$	228.1	Ω
Voice Coil Inductance @ 1kHz .....	$L_E$	1.12	mH

#### CONSTRUCTIVE CHARACTERISTICS

Magnet.....	Ferrite
Voice Coil Winding.....	Copper
Voice Coil Former.....	Kapton
Cone .....	Paper
Surround.....	Treated Cloth
Dust Dome .....	Solid Paper
Basket .....	Aluminium Die-Cast

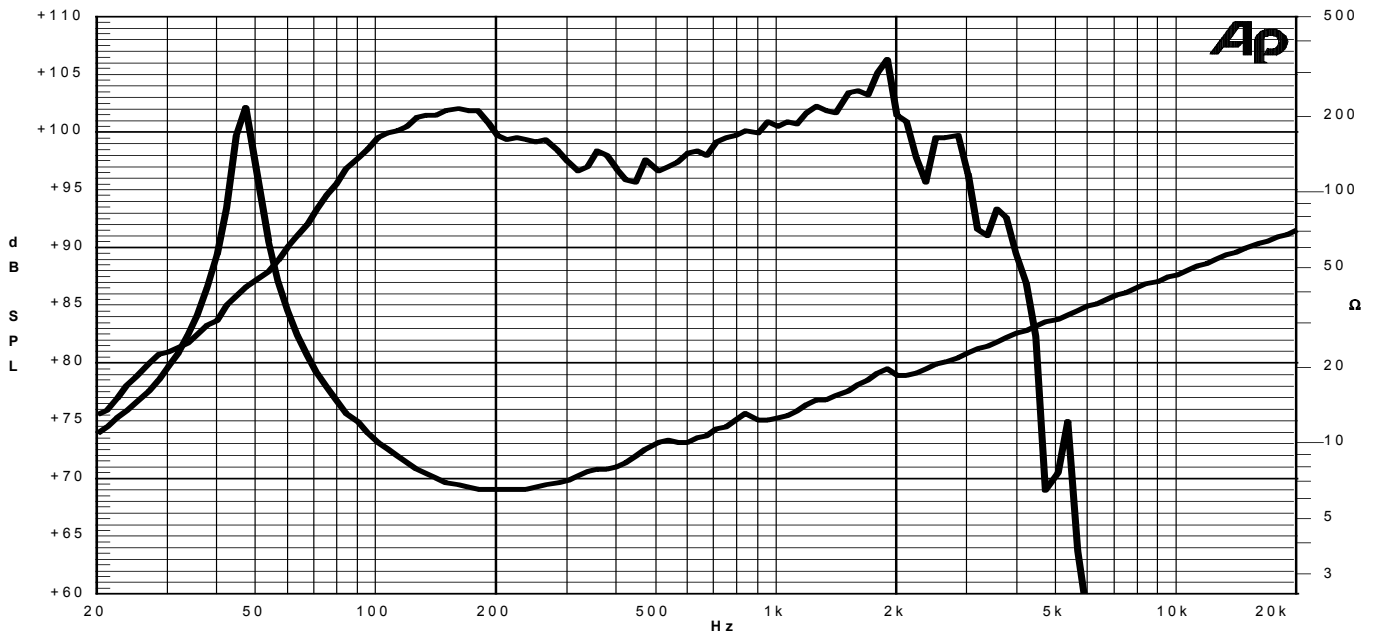
#### ELECTRICAL CHARACTERISTICS

Nominal Impedance.....	8	Ω
Musical Power .....	700	W
Rated Power* .....	350	W
Sensitivity @ 1 W, 1 m .....	99.4	dB



\*rated power measured with 2 hours test with pink noise signal, 6 dB crest factor, loudspeaker mounted on enclosure  
Thiele-Small parameters measured with LASER system

Frequency Response on IEC Baffle (DIN 45575) @ 1 W, 1 m - Impedance



Due to continuing product improvement, the features and the design are subject to change without notice.

05/06/08