

## 12" - 200W Dual Cone

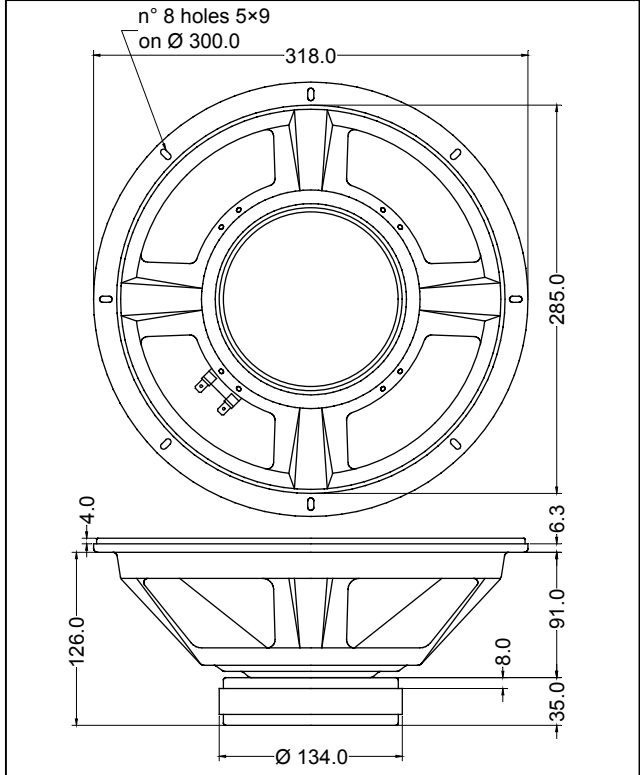
### 12 D 1,5 CS - 4 Ω

Code Z007380

GENERAL CHARACTERISTICS		
Nominal Overall Diameter .....	318	mm
Nominal Voice Coil Diameter .....	38	mm
Magnet Weight .....	1100	g
Flux Density.....	1.10	T
Weight.....	3.67	Kg

ELECTRICAL CHARACTERISTICS		
Nominal Impedance.....	4	Ω
Musical Power .....	200	W
Rated Power* .....	100	W
Sensitivity @ 1 W, 1 m .....	98.1	dB

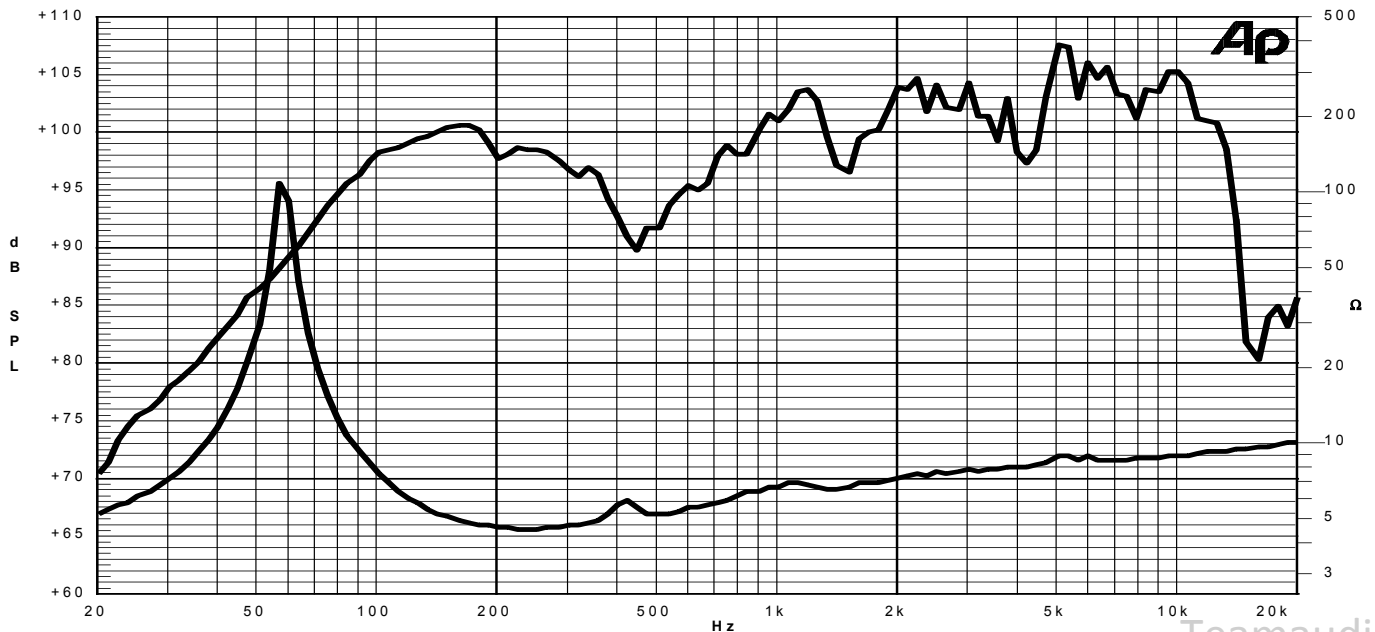
THIELE-SMALL PARAMETERS		
Voice Coil DC Resistance .....	$R_E$	3.64 Ω
Resonance Frequency .....	$f_s$	58.1 Hz
Mechanical Q Factor.....	$Q_{MS}$	17.84
Electrical Q Factor.....	$Q_{ES}$	0.48
Total Q Factor .....	$Q_{TS}$	0.47
Mechanical Moving Mass .....	$M_{MS}$	26.7 g
Mechanical Compliance .....	$C_{MS}$	280 μm/N
Force Factor .....	$B \times l$	8.61 Wb/m
Equivalent Acoustic Volume.....	$V_{AS}$	94.8 lt.
Maximum Linear Displacement ....	$X_{MAX}$	+/-0.5 mm
Reference Efficiency .....	$\eta_0$	3.74 %
Diaphragm Area .....	$S_D$	490.9 cm <sup>2</sup>
Losses Electrical Resistance.....	$R_{ES}$	135.4 Ω
Voice Coil Inductance @ 1kHz .....	$L_E$	0.33 mH



CONSTRUCTIVE CHARACTERISTICS	
Magnet.....	Ferrite
Voice Coil Winding.....	Copper
Voice Coil Former.....	Epotex
Cone .....	Paper
Surround.....	Paper - Integrated
Dust Dome .....	Dual-Cone
Basket .....	Pressed Sheet Steel

\*rated power measured with 2 hours test with pink noise signal, 6 dB crest factor, loudspeaker mounted on enclosure

Frequency Response on IEC Baffle (DIN 45575) @ 1 W, 1 m - Impedance



Due to continuing product improvement, the features and the design are subject to change without notice.

11/03/05