

Model Number: SLS-P830669
Product Line: Peerless Silver

Revision: Rev 1_0
Date: 24-Nov-09

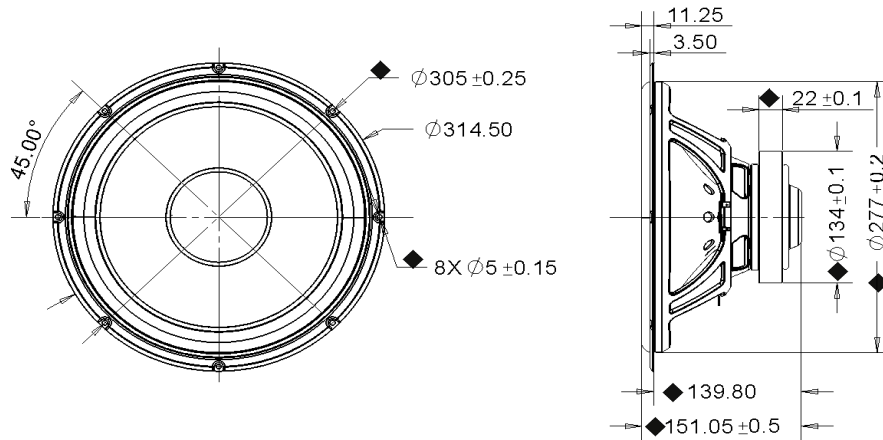


Product Description:

The SLS line combines high quality performance with an affordable design. This 12 inch 8 ohm member of the SLS family features a rigid steel basket, a coated paper cone, and a ferrite magnet motor with aluminium shorting ring for improved distortion performance.



Mechanical 2D Drawing:



Specifications:

DC Resistance	R_{evc}	Ω	5.6	5.0%	Energy Bandwidth Product	EBP	$(1/Q_{es})f_s$	53
Minimum Impedance	Z_{min}	Ω	7.0	7.5%	Moving Mass	M_{ms}	g	74.11
Voice Coil Inductance	L_e	mH	1.12		Suspension Compliance	C_{ms}	um/N	345.0
Resonant Frequency	f_s	Hz	31	15.0%	Effective Cone Diameter	D	cm	25.8
Mechanical Q Factor	Q_{ms}	-	7.1		Effective Piston Area	S_D	cm ²	522.8
Electrical Q Factor	Q_{es}	-	0.58		Equivalent Volume	V_{as}	L	132.42
Total Q Factor	Q_{ts}	-	0.54		Motor Force Factor	BL	T·m	11.88
Ratio f_s / Q_{ts}	F	f_s / Q_{ts}	58		Motor Efficiency Factor	β	$(T \cdot m^2) / \Omega$	25.18
Half Space Sensitivity @ 2.83V	dB@2.83V/1m	dB	89.8	+/-1.0 ¹	Voice Coil Former Material	VC_m	-	Glass Fiber
Sensitivity @ 1W/1m	1W/1m	dB	86.8	+/-1.0 ¹	Voice Coil Inner Diameter	VC_d	mm	38.4
					Gap Height	Gh	mm	8.0
Rated Noise Power (IEC 2685 18.1)	P	W	100		Maximum Linear Excursion	X_{max}	mm	8.3
Test Spectrum Bandwidth	30Hz - 2kHz		12 dB/Oct		Ferrofluid Type	FF		N/A
					Transducer Size		inch	12
					Transducer Mass		Kg	3.2

1 - Piston Band Sensitivity Tolerance

Frequency and Impedance Response:

