

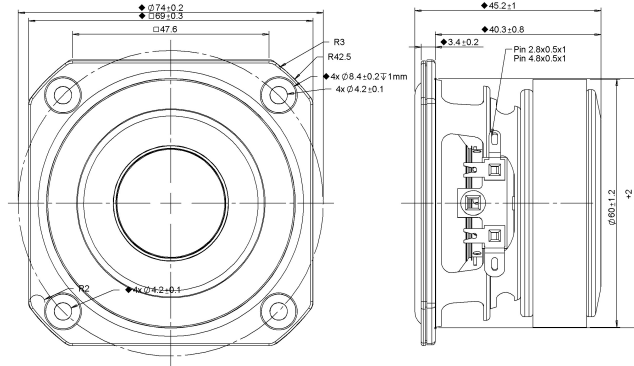
## Full Range

This 2.5 inch 8 ohm member of the PLS family sets a high standard for compact full range drivers intended for applications such as television soundbars and compact music systems. Design features in this family include a stiff steel basket with venting under the spider to aid cooling of the motor, a ferrite magnet motor with copper cap to lower coil inductance, providing low distortion at low frequencies and extended high frequency response. A black anodized aluminium cone is employed, along with a black anodized aluminium dust cap coupled directly to the voice coil. Additionally, the cones come equipped with special-designed large roll rubber surrounds, which allow for a dynamic linear response at high excursion.



PLS-65F25AL02-08

### MECHANICAL 2D DRAWING



### SPECIFICATIONS

DC Resistance	Revc	$\Omega$	6.09	$\pm 5.0\%$	Moving Mass	Mms	g	2.1
Minimum Impedance	Zmin	$\Omega$	7.29	$\pm 7.5\%$	Suspension Compliance	Cms	um/N	1124.7
Voice Coil Inductance	Le	mH	0.05	-	Effective Cone Diameter	D	cm	5.3
Resonant Frequency	fs	Hz	104.3	15%	Effective Piston Area	Sd	cm <sup>2</sup>	22.1
Mechanical Q Factor	Qms	-	4.81	-	Equivalent Volume	Vas	L	0.77
Electrical Q Factor	Qes	-	0.81	-	Motor Force Factor	BL	T•m	3.19
Total Q Factor	Qts	-	0.7	-	Motor Efficiency Factor	$\beta$	(T•m <sup>2</sup> )/ $\Omega$	1.7
Ratio	fs/Qts	-	150.07	-	Voice Coil Former Material	VCfm	-	ASV
Half Space Sensitivity	dB@2.83V/1m	dB	83.2	$\pm 1.01$	Voice Coil Inner Diameter	VCd	mm	25.73
Sensitivity	1W/1m	dB	82.8	$\pm 1.01$	Gap Height	Gh	mm	3
Rated Noise Power (IEC 268-5 18.1)	P	W	25	-	Maximum Linear Excursion	Xmax	mm	2.6
Test Spectrum Bandwidth		12 dB/Oct	100Hz~20KHz	-	Ferrofluid Type	FF	-	
Energy Bandwidth Product	EBP	(1/Qes)•fs		-	Transducer Size	-	-	2.5 in
				-	Transducer Mass	-	Kg	0.34

### FREQUENCY & IMPEDANCE RESPONSE

