

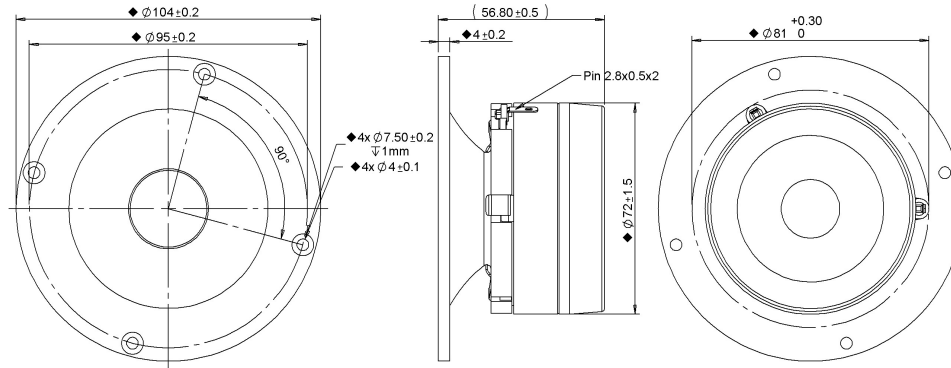
Tweeter

This H family tweeter features a 25 mm 6 ohm voice coil, a treated silk dome, a large rear chamber for low resonant frequency, and a ferrofluid-cooled ferrite motor. The large motor and rear chamber allows for robust power handling capacity. The tweeter comes with a faceplate with recessed mounting holes, for easy installation into the desired application. The faceplate has a horn geometry for increased sensitivity.



H26TG45-06

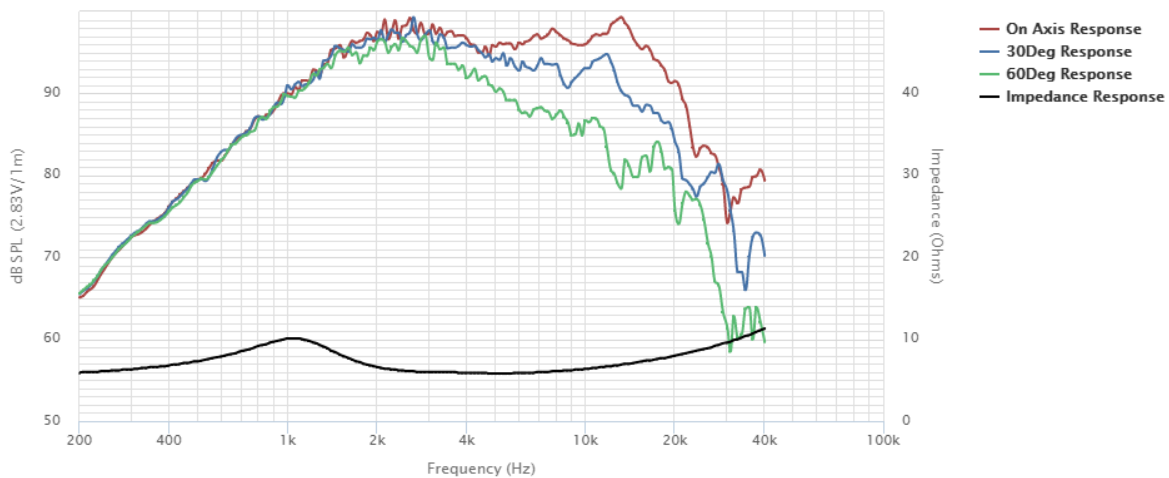
MECHANICAL 2D DRAWING



SPECIFICATIONS

DC Resistance	Revc	Ω	4.69	$\pm 5.0\%$	Moving Mass	Mms	g	0.4
Minimum Impedance	Zmin	Ω	5.84	$\pm 7.5\%$	Suspension Compliance	Cms	um/N	67.7
Voice Coil Inductance	Le	mH	0.02	-	Effective Cone Diameter	D	cm	3
Resonant Frequency	fs	Hz	1018.82	15%	Effective Piston Area	Sd	cm ²	7.1
Mechanical Q Factor	Qms	-	0.98	-	Equivalent Volume	Vas	L	0.01
Electrical Q Factor	Qes	-	1.13	-	Motor Force Factor	BL	T•m	3.1
Total Q Factor	Qts	-	0.53	-	Motor Efficiency Factor	β	(T•m ²)/ Ω	2
Ratio	fs/Qts	-	1940.6	-	Voice Coil Former Material	VCfm	-	ASV
Half Space Sensitivity	dB@2.83V/1m	dB	95.98	± 1.01	Voice Coil Inner Diameter	VCd	mm	25.79
Sensitivity	1W/1m	dB	94.6	± 1.01	Gap Height	Gh	mm	2.5
Rated Noise Power (IEC 268-5 18.1)	P	W	100	-	Maximum Linear Excursion	Xmax	mm	0.5
Test Spectrum Bandwidth		12 dB/Oct	2.5KHz-20KHz	-	Ferrofluid Type	FF	-	
Energy Bandwidth Product	EBP	(1/Qes)•fs		-	Transducer Size			25 mm
				-	Transducer Mass		Kg	0.53

FREQUENCY & IMPEDANCE RESPONSE



Highcharts.com