

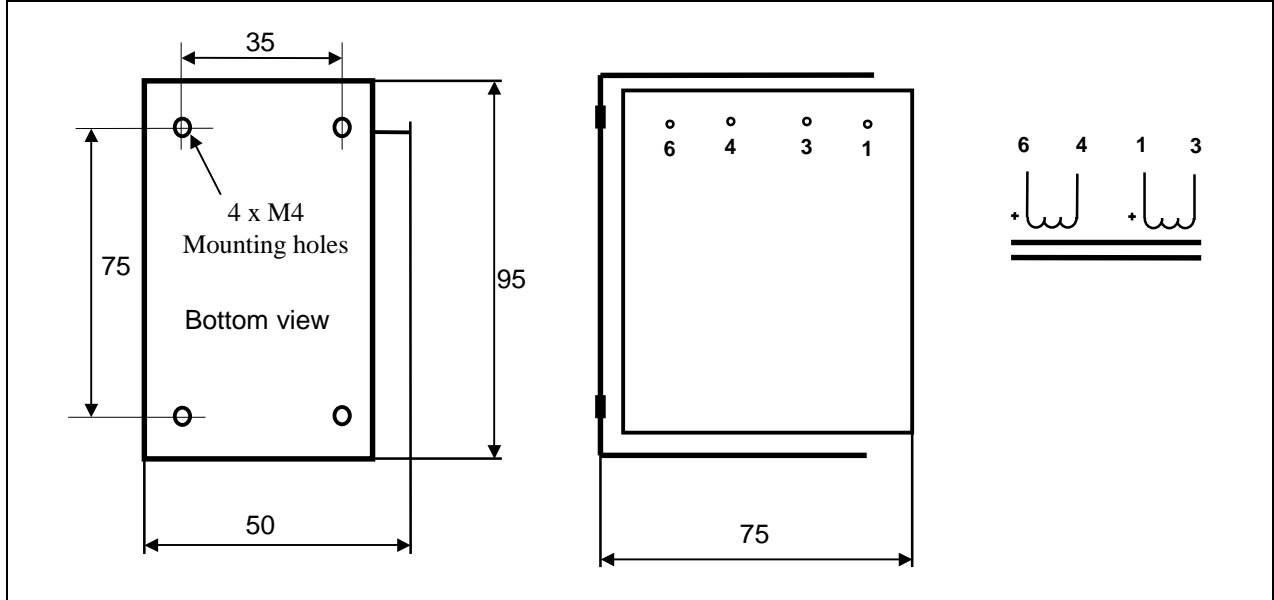
## Choke LL1638

The LL1638 is a 2 coils choke for tube amplifier anode supply.

The choke is available with different core air-gap, which results in different inductance and DC current capability.

The coil is wound using our standard high internal isolation technique with isolation foil between each copper layer. The core is an audio C-core of our own production.

### Winding schematics, physical dimensions, pin and mounting hole layout (all dimensions in mm)



**Weight:**

1.35 kg

**Static resistance of each winding:**

18 Ω

**Isolation between windings / between windings and core:**

4 kV / 2 kV

Type	Coils in series			Coils in parallel		
	In-ductance	Recommended DC current	Saturating current	In-ductance	Recommended DC current	Saturating current
LL1638 / 4 H	4 H	400 mA	575 mA	1 H	800 mA	1150 mA
LL1638 / 8 H	8 H	200 mA	290 mA	2 H	400 mA	580 mA
LL1638 / 10 H	10 H	150 mA	215 mA	2.5 H	300 mA	430 mA
<b>Max. ripple voltage at rec. DC current</b>	300V rms / 100 Hz			150V rms / 100 Hz		

### Suggested connections:

