

12"- 100W Ceramic Guitar Loudspeaker

C 12/50 FA - 8 Ω

Code ZJ06400

GENERAL CHARACTERISTICS

Nominal Overall Diameter	307	mm
Nominal Voice Coil Diameter	38	mm
Magnet Weight	810	g
Flux Density.....	1.15	T
Weight.....	3.30	Kg

THIELE-SMALL PARAMETERS

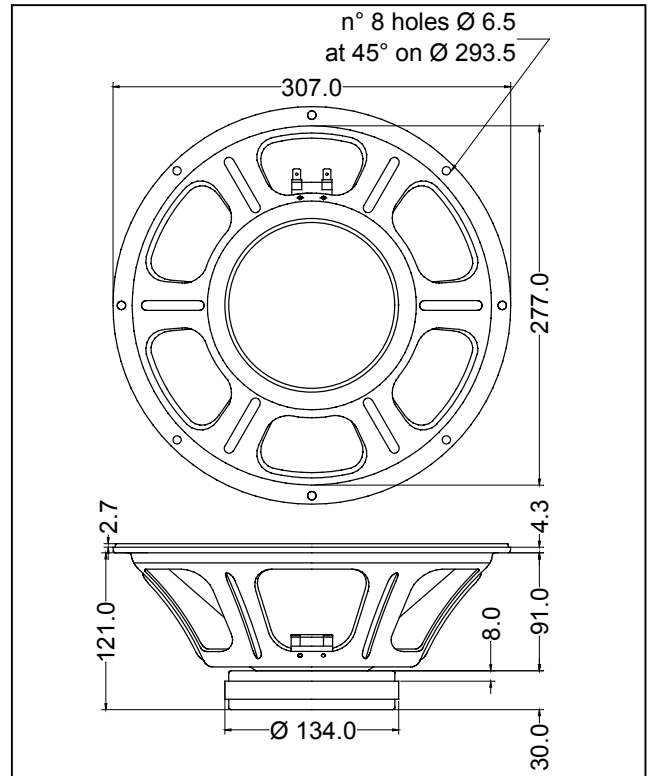
Voice Coil DC Resistance	R_E	5.22	Ω
Resonance Frequency	f_s	107.0	Hz
Mechanical Q Factor.....	Q_{MS}	9.60	
Electrical Q Factor.....	Q_{ES}	0.95	
Total Q Factor	Q_{TS}	0.86	
Mechanical Moving Mass	M_{MS}	31.7	g
Mechanical Compliance	C_{MS}	70	μm/N
Force Factor	$B \times l$	10.83	Wb/m
Equivalent Acoustic Volume.....	V_{AS}	28.8	lt.
Maximum Linear Displacement	X_{MAX}	+/-1.0	mm
Reference Efficiency	η_0	2.95	%
Diaphragm Area	S_D	490.9	cm ²
Losses Electrical Resistance.....	R_{ES}	52.8	Ω
Voice Coil Inductance @ 1kHz	L_E	0.78	mH

CONSTRUCTIVE CHARACTERISTICS

Magnet.....	Ferrite
Voice Coil Winding.....	Copper
Voice Coil Former.....	Kapton
Cone	Paper
Surround.....	Paper - Integrated
Dust Dome	Non Treated Cloth
Basket	Pressed Sheet Steel

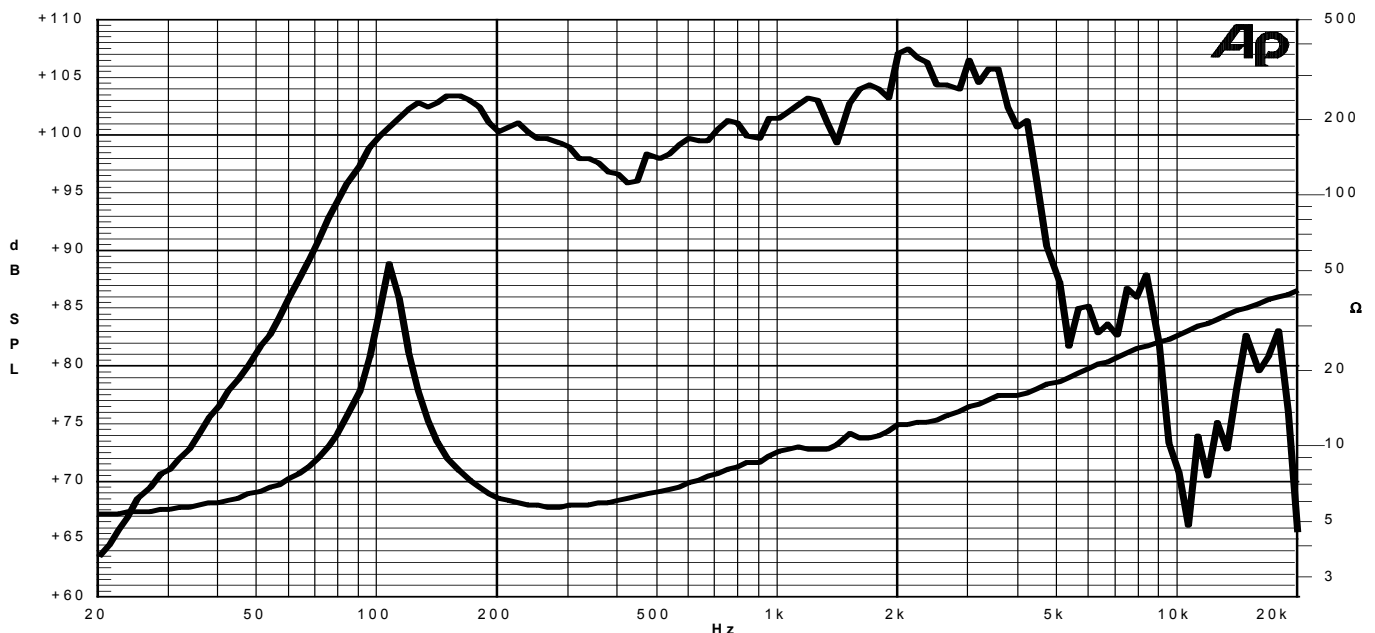
ELECTRICAL CHARACTERISTICS

Nominal Impedance.....	8	Ω
Musical Power	100	W
Rated Power*	50	W
Sensitivity @ 1 W, 1 m	98.7	dB



*rated power measured with 2 hours test with pink noise signal, 6 dB crest factor, loudspeaker mounted on enclosure
Thiele-Small parameters measured with I ASFR system

Frequency Response on IEC Baffle (DIN 45575) @ 1 W, 1 m - Free Air Impedance



Due to continuing product improvement, the features and the design are subject to change without notice.

21/09/09