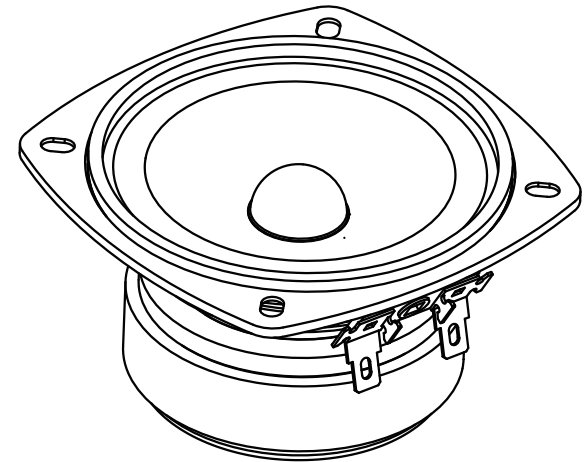




FE83NV

8cm Fullrange speaker unit

Fostex



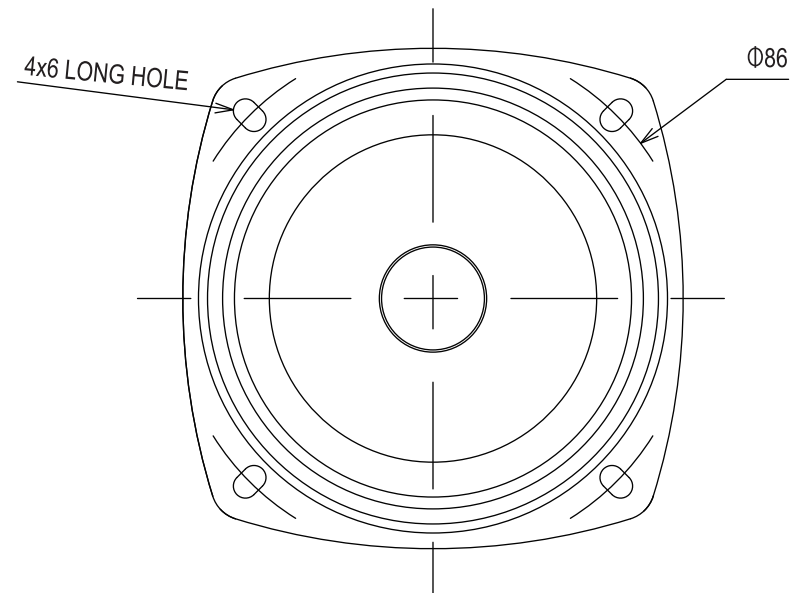
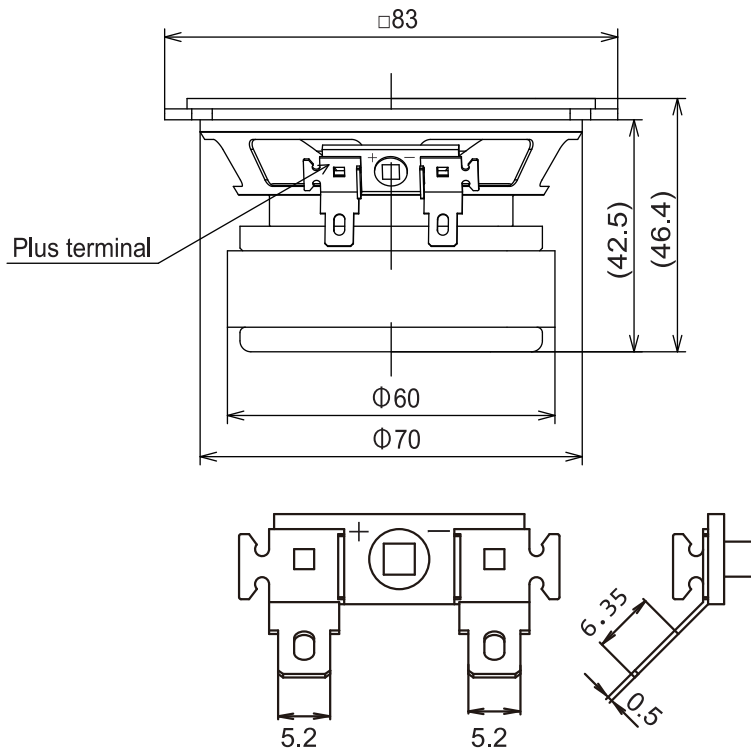
www.fostex.jp/products/fe83nv

Specification Sheet



In accordance with our policy of continuous development, we reserve the right to change specifications without notice Printed in China 638119

Dimensions / Polarity



Standard Accessories

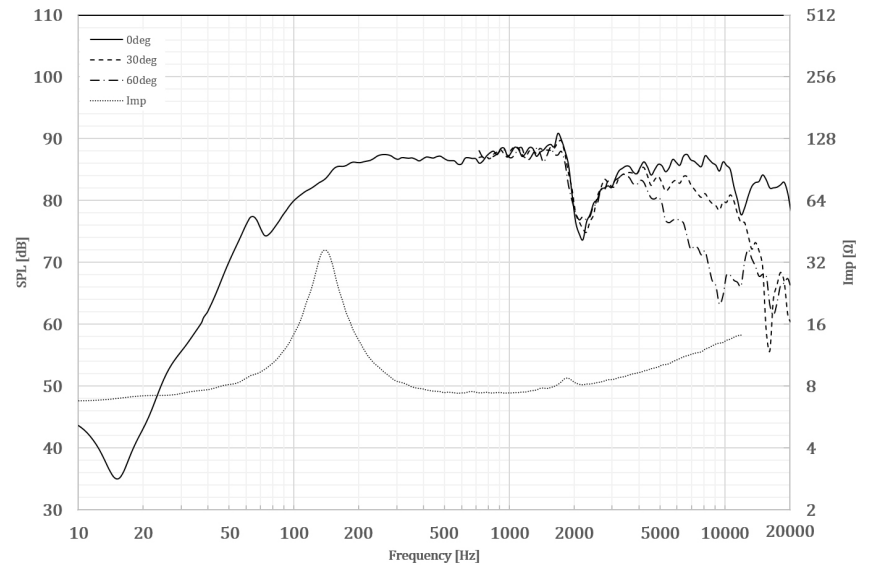
Speaker unit : 1pc	Specification sheet : 1pc
Screw : 4pcs	Application sheet : 1pc
Washer : 4pcs	Safety precautions : 1pc
Spacer : 1pc	Customer registration card : 1pc

Specifications & Thiel / Small Parameters

Electrical Parameters	Nominal Impedance	8.0	ohm
	Re	7.1	ohm
	Le	0.1	mH
	fs (F0)	149.7	Hz
Mechanical Parameters	Mms (M0)	1.4	g
	Cms	0.8	mm/N
	Bl	3.2	N/A
Loss Factors	Qms	4.21	-
	Qes	0.96	-
	Qts (Q0)	0.78	-
Other Parameters	SPL (1m/1W)	87.5	dB
	Equivalent Diaphragm Radius (a)	30.0	mm
	Rated Input	5	W
	Max Input	15	W
	Overall Diameter	□83	mm
	Voice Coil Diameter	16	mm
	Reproduction Frequency Response	fs to 22k	Hz
	Vas	0.9	L
	Baffle Hole Diameter	Φ73	mm

Frequency Response

FOSTER Electric Co.,Ltd semi-anechoic chamber
1/24th oct smoothing / Input 2.83V(1W) / mic distance 1m



Components

