

Technical specifications / Technische daten / Caractéristiques techniques / Especificaciones técnicas / Specifiche tecniche / Technische specificaties / Tekniska specifikationer / Технические характеристики

C155	
Sensitivity (SPL)	90dB (2.83 Vrms input)
Frequency response	60Hz - 20kHz (+/-2dB)
Impedance	4 Ohms
Drivers	1 x 6.5"
Speaker dimensions (H x W x D)	75 x \varnothing 240mm (3 x \varnothing 9.4")
Weight	1.1Kg (2.4lbs)

© Copyright Audio Partnership Plc 2014

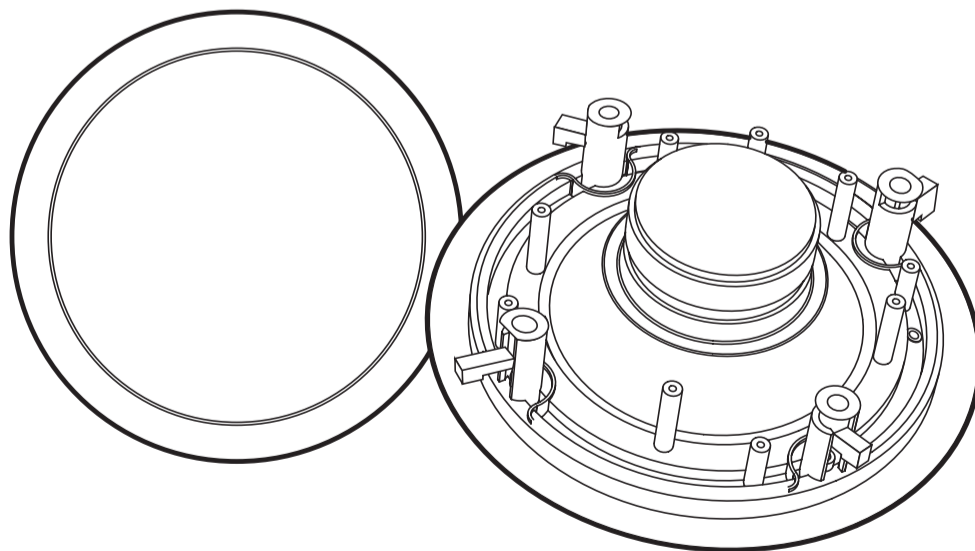
Cambridge Audio is a brand of Audio Partnership Plc.
Registered Office: Gallery Court, Hankey Place, London SE1 4BB, UK.
Registered in England No. 2953313



Installation guide

- Installationsanleitung
- Guide d'installation
- Guía de instalación
- Guida all'installazione
- Installatiehandleiding
- Installationsguide
- Руководство по установке

C155
6.5" Passive Ceiling Speaker



The crossed-out wheeled bin is the European Union symbol for indicating separate collection for electrical and electronic equipment. This product contains electrical and electronic equipment which should be reused, recycled or recovered and should not be disposed of with unsorted regular waste. Please return the unit or contact the authorised dealer from whom you purchased this product for more information.

Die durchgestrichene Abfalltonne auf Rädern ist das Symbol der Europäischen Union, das das getrennte Sammeln von Elektro- und Elektronikgeräten anzeigt. Dieses Gerät enthält elektrische und elektronische Teile, die wiederverwendet, recycelt oder wiederverhergestellt werden können und nicht mit unsortiertem normalem Restabfall entsorgt werden dürfen. Bitte geben Sie das Gerät zurück oder wenden Sie sich für weitere Informationen an Ihren Fachhändler, von dem Sie dieses Gerät gekauft haben.

La poubelle à roulettes barrée d'une croix est le symbole de l'Union européenne indiquant la collecte séparée des appareils et dispositifs électriques et électroniques. Ce produit contient des dispositifs électriques et électroniques qui doivent être réutilisés, recyclés ou récupérés, et qui ne doivent pas être jetés avec les déchets ordinaires non triés. Veuillez remettre l'appareil au revendeur agréé chez qui vous avez acheté ce produit, ou le contacter pour plus d'informations.

El cubo con ruedas tachado es el símbolo de la Unión Europea para indicar un conjunto separado de equipos eléctricos y electrónicos. Este producto contiene equipos eléctricos y electrónicos que deben ser reutilizados, reciclados o recuperados y no deben desecharse con los desperdicios habituales sin clasificar. Por favor devuelva el equipo o póngase en contacto con el distribuidor autorizado a quien compró este producto para obtener más información.

Il contenitore a rotelle per rifiuti, sommontato da una croce, rappresenta il simbolo dell'Unione Europea per indicare una raccolta separata dei dispositivi e apparecchiature elettriche ed elettroniche. Questo prodotto contiene parti elettriche ed elettroniche che devono essere riutilizzate, riciclate o ricuperate, e non deve pertanto essere gettato assieme ai normali rifiuti non riordinati. Potete restituire quest'apparecchio al negoziante, o mettervi in contatto con il distributore autorizzato presso il quale lo avete acquistato per ulteriori informazioni.

Den överkorsade sopptunnan är Europeiska Unionens symbol för att indikera separat uppsamling av elektrisk och elektronisk utrustning. Denna produkt innehåller elektrisk och elektronisk utrustning som kan återanvändas, återvinnas eller återhållas och inte får kasseras med normalt osorterat hushållsavfall. Ta tillbaka apparaten eller kontakta den auktoriserade återförsäljaren som du köpte produkten från för mer information.



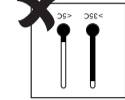


Plšek s kolesama i s kрeстом – это символ Евросоюза для указания на отдельную коллекцию отходов, которые должны быть повторно использованы, переработаны или восстановлены и не должны утилизироваться совместно с несортированными обычными отходами. Пожалуйста возвращайте устройство или обратитесь к авторизованному дилеру, у которого вы приобрели это изделие, для получения дополнительной информации.

This guide is designed to make installing and using this product as easy as possible. Information in this document has been carefully checked for accuracy at the time of printing; however, Cambridge Audio's policy is one of continuous improvement, therefore design and specifications are subject to change without prior notice.

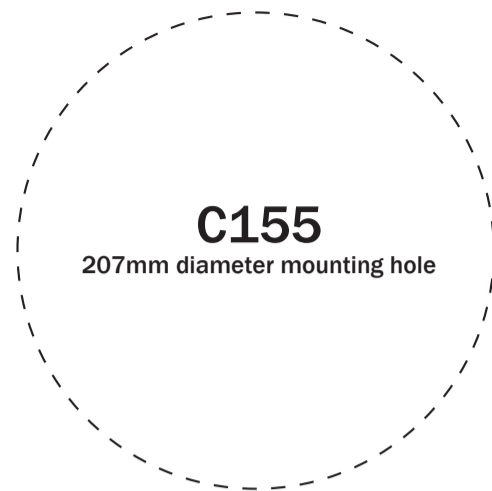
Befolgen Sie für die Installation und Verwendung des Produkts die Schritte in dieser Bedienungsanleitung. Die Informationen in dieser Anleitung wurden zur Zeit der Drucklegung hinsichtlich ihrer Genauigkeit sorgfältig überprüft. Cambridge Audio ist jedoch bestrebt, seine Produkte ständig zu verbessern, und daher können sich das Design und die technischen Daten ohne vorherige Ankündigung ändern.

Que esta Guía a stata debata per rendere l'installazione e l'impiego di questo prodotto più facili possibile. Le informazioni contenute in questo documento sono state accuratamente verificate per la loro esattezza al momento della stampa; in ogni caso la politica di Cambridge Audio è fatta di miglioramento continuo, per cui il progetto e le specifiche sono soggette a modifiche senza necessità di preavviso.

Denna handbok är utformad för att underlätta installation och användning av denna produkt. Informationen i detta dokument har kontrollerats noggrant vid tryckningsfärdigställandet. Cambridge Audio har dock en policy av kontinuerliga förbättringar, vilket innebär att design och specifikationer kan ändras utan föregående meddelande.

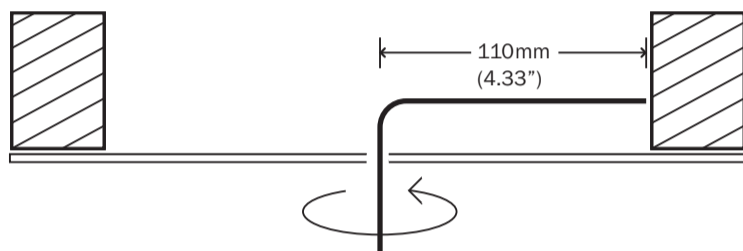
<p>Read all instructions</p>  <p>Bitte lesen Sie alle Punkte genau durch Lisez toutes les instructions Lea todas las instrucciones Leggere tutte le istruzioni Lees alle aanwijzingen Läs alla instruktioner Прочитайте все инструкции</p>	<p>Avoid damp</p>  <p>Kontakt mit Feuchtigkeit vermeiden N'installez pas le système dans un environnement humide Evite la humedad Evitare l'umidità Vermij vocht Undik fukt Не допускать попадания влаги</p>	<p>Avoid extreme temperatures</p>  <p>Extreme Temperaturen vermeiden Evitez les températures extrêmes Evite temperaturas extremas Evitare temperature estreme Vermij extreme temperature Undik extrema temperaturförhållanden Не допускайте экстремальных температур</p>
<p>Secure all cables</p>  <p>Alle Kabel gut sichern Attachez fermement tous les câbles Asegure todos los cables Fissare tutti i cavi Beveilig alle kabels Säkra alla kablar Закрепите все кабели</p>	<p>Avoid solvent-based cleaners</p>  <p>Keine Lösemittel zum Reinigen verwenden N'utilisez pas de produit de nettoyage à base de solvant Evite utilizar limpiadores basados en disolventes Evitare detergenti basati su solventi Vermij reinigingsmiddelen op basis van oplosmiddelen Undik lösningsbaserade rengöringsmedel Не пользуйтесь очистителями на основе растворителей</p>	<p>Avoid direct sunlight</p>  <p>Nie direktem Sonnenlicht aussetzen Evitez une exposition directe aux rayons du soleil Evite la luz directa del sol Evitare la luce solare diretta Vermij direct zonlicht Undik direkt soluljus Не допускать воздействия прямого солнечного света</p>

- 1 Remove the round cardboard pad from inside the supplied template .



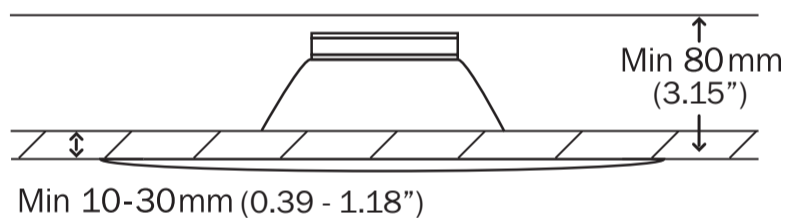
- 2 Use the template to mark the position for the mounting hole at the selected location.

Before cutting ceiling speaker holes, it is suggested that the area is tested for clearance by making an L-shaped probe from strong wire (see illustration below), drilling a small hole in the target area, inserting the probe and slowly turning. Any obstructions will be immediately obvious, and the target area can be moved to a more suitable position.



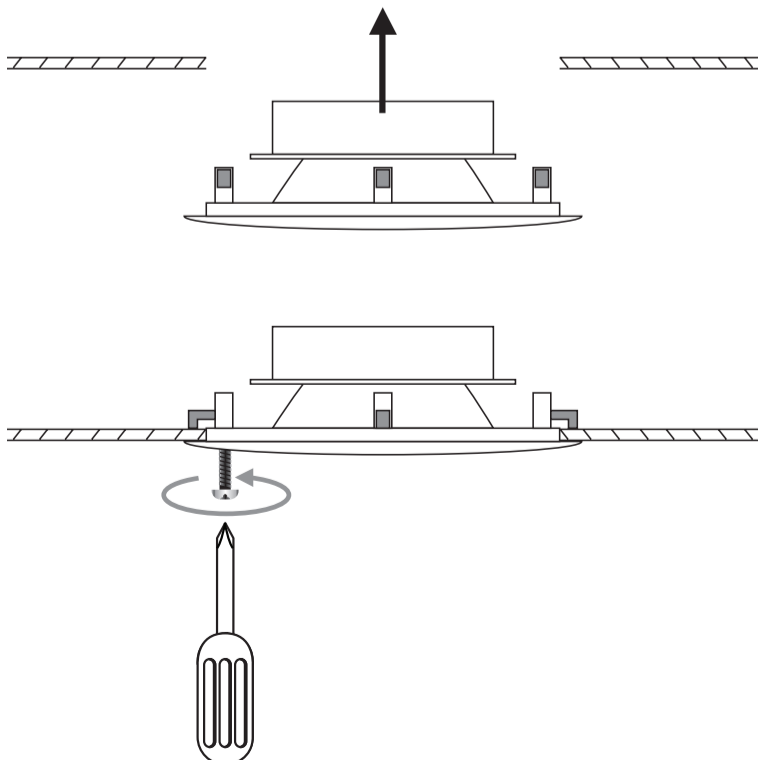
- 3 Cut the mounting hole with a drywall or keyhole saw.

Be sure the mounting surface is between 10 and 30mm(0.39 - 1.18") thick, and that there is at least 80mm(3.15") of clearance behind the mounting surface.



Mounting the C155

Before mounting, ensure that the four fixing screws are slackened off so that the red mounting dog-legs can move freely. Move each red dog-leg foot to the LEFT into it's holding slot, and then insert the speaker into the mounting hole. Using a cross-head screwdriver, slowly turn each fixing screw clockwise. This will move the mounting dog-legs out of their slots. Tighten each fixing screw until the mounting dog-legs grip the ceiling.

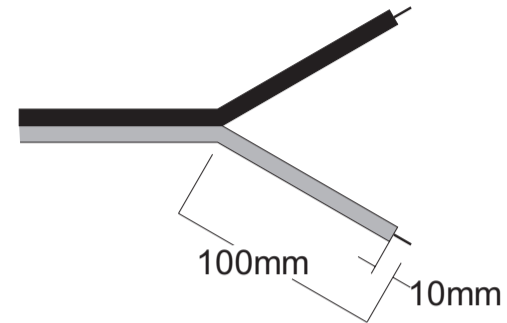


Connecting the C155

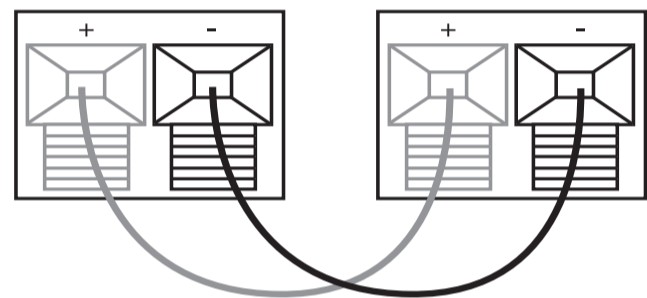
Do not compromise the performance of your system by using inferior quality speaker cables. We recommend that high quality cables of 16 gauge or higher be used. Your professional dealer will give you good advice. Always unplug all A.C. powered components before making any loudspeaker or component connections. This will avoid the risk of electric shock or damage to your equipment.

Follow these steps to connect the speaker to your amplification system:

- 1 Route the speaker cable from your amplification system to the speakers.
 - Avoid routing the speaker cable near electrical wires
 - Do not nail or staple the cable
- 2 Separate about 100mm of speaker cable at each end.



- 3 Using a wire stripper, remove about 10mm of insulation from both ends of each conductor, and then twist the strands of each conductor .
- 4 Observing polarity is of the utmost importance while connecting your speakers. Ensure that the red (+) terminals on your amplification system are connected to the red (+) on the speakers, and black (-) on your amplification system to black (-) on your speakers .



The speaker cable is coded with a bead or stripe down one lead's insulation, or has differently coloured wires. Press the spring-loaded red or black tab back to reveal the connecting hole. Insert the stripped end of the speaker wire, then release the tab.

- 5 If your speakers are wired incorrectly they will be out of phase and sound hollow and indistinct, with a weak bass. Re-check your connections for correct polarity and reverse the connections if necessary.

PAINTING THE FRAME AND GRILLE

Remove grille by inserting a small hook or similar small implement into one of the grille openings, then pulling on the grille. Fit the clear plastic painting mask provided when painting the speaker surround to avoid getting paint getting on the speaker cone.

