

### KEY FEATURES

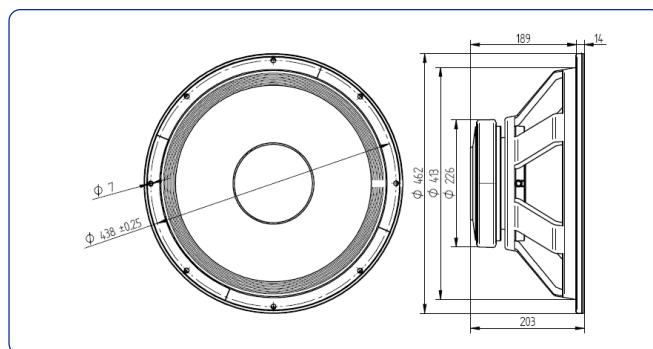
- Real 1000 w AES power handling
- Sensitivity: 98dB @ 2.83v
- Large Xmax allowing longer voice coil displacements
- Designed for subwoofer applications that require extra power handling.

### TECHNICAL SPECIFICATIONS

Nominal diameter	460 mm. 18 in.
Rated impedance	8 ohms
Minimum impedance	6.2 ohms
Power capacity*	1000 w AES
Program power	2000 w
Sensitivity	98 dB 2.83v @ 1m @ 2π
Frequency range	25 - 2000 Hz
Recom. enclosure vol.	80 / 200 l 2.8 / 7 ft. <sup>3</sup>
Voice coil diameter	100 mm. 4 in.
Magnetic assembly weight	10.8 kg. 23.76 lb.
BL factor	26 N/A
Moving mass	0.215 kg.
Voice coil length	21 mm
Air gap height	12 mm
X damage (peak to peak)	52 mm



### DIMENSION DRAWINGS



### THIELE-SMALL PARAMETERS\*\*

Resonant frequency, fs	40 Hz
D.C. Voice coil resistance, Re	5.1 ohms
Mechanical Quality Factor, Qms	15.11
Electrical Quality Factor, Qes	0.40
Total Quality Factor, Qts	0.39
Equivalent Air Volume to Cms, Vas	163.2 l
Mechanical Compliance, Cms	75 μm / N
Mechanical Resistance, Rms	3.61 kg / s
Efficiency, ηo (%)	2.5
Effective Surface Area, Sd (m <sup>2</sup> )	0.1250 m <sup>2</sup>
Maximum Displacement, Xmax***	8 mm
Displacement Volume, Vd	1000 cm <sup>3</sup>
Voice Coil Inductance, Le @ 1 kHz	2.8 mH

### MOUNTING INFORMATION

Overall diameter	462 mm. 18.19 in.
Bolt circle diameter	438 mm. 17.24 in.
Baffle cutout diameter:	
- Front mount	413 mm. 16.26 in.
- Rear mount	400 mm. 15.75 in.
Depth	203 mm. 7.99 in.
Volume displaced by driver	13 l 0.46 ft. <sup>3</sup>
Net weight	12.9 kg. 28.38 lb.
Shipping weight	14.4 kg. 31.68 lb.

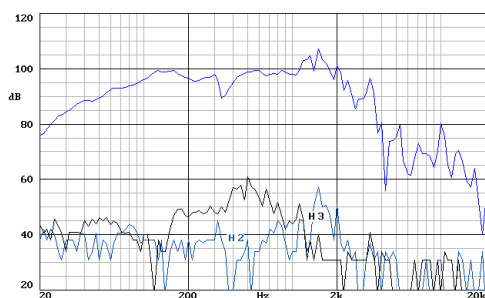
Notes:

\*The power capacity is determined according to AES2-1984 (r2003) standard. Program power is defined as the transducer's ability to handle normal music program material.

\*\*T-S parameters are measured after an exercise period using a preconditioning power test.

\*\*\*The Xmax is calculated as (Lvc - Hag)/2 + Hag/3.5, where Lvc is the voice coil length and Hag is the air gap height.

### FREQUENCY RESPONSE AND DISTORTION



Note: on axis frequency response measured with loudspeaker standing on infinite baffle in anechoic chamber, 1w @ 1m.

### FREE AIR IMPEDANCE CURVE

