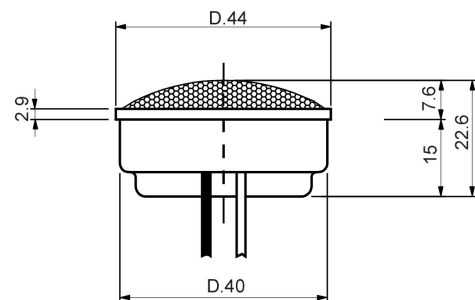
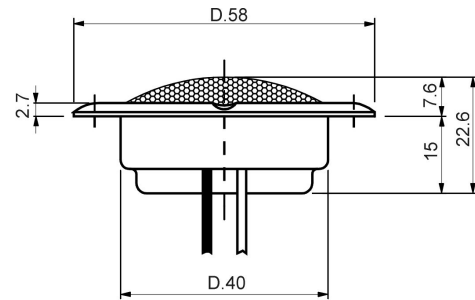


mm ↑

<b>D:</b>	<b>1" – 25 mm</b>
<b>Re:</b>	<b>3 Ohm</b>
<b>Cms:</b>	<b>0,21 mm/N</b>
<b>Le:</b>	<b>0,032 mH</b>
<b>Znom:</b>	<b>4 ohm</b>
<b>Mms:</b>	<b>152 g</b>
<b>Pmax:</b>	<b>80 W 2,0 kHz</b>
<b>Fs:</b>	<b>1080 Hz</b>
<b>Bl:</b>	<b>2,44 N/A</b>

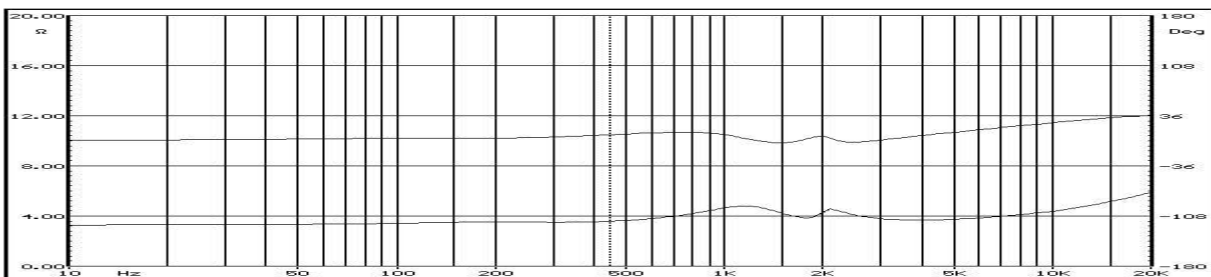


### TECHNICAL FEATURES

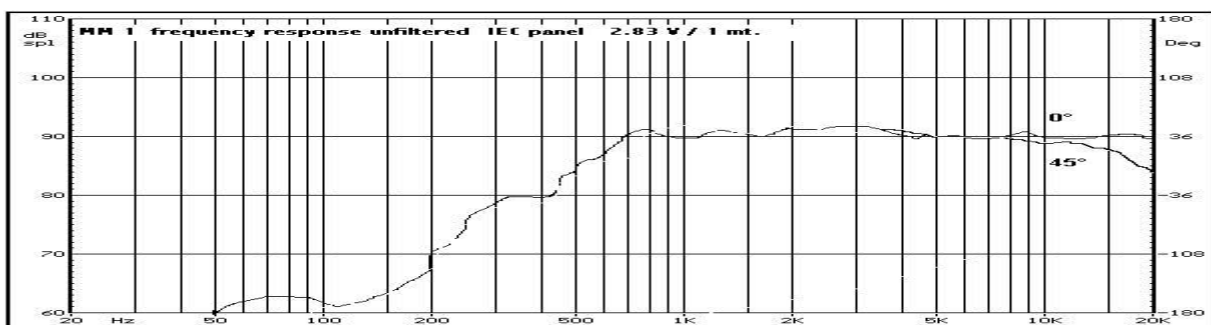
- DOME: 26 mm diameter, silk.
- VOICE COIL: OFC copper on aluminium former (∅ 25 mm) Ferrofluid cooled.
- MAGNET: High temperature stable Neodimium , magnetized with an internal procedure.
- BAFFLE: 60 mm. diameter, single block of aluminium, double loading chamber.

With its rear loading chamber, this tweeter features a low frequency of resonance, which, together with the 60 mm baffle, allows the component to start working from lower frequencies than usual, and, thanks to the 1" silk dome, to reach the highest frequencies without problems. The out of axis response is optimised, making the dispersion asymmetric and pointing at its maximum with a red spot on the side of the chassis. Available in black or silver, with or without the baffle. No matter which version, this is the expression of our skills and know how.

### MM 1 IMPEDANCE



### MM 1 FREQUENCY RESPONSE



Due to the continue increase of the performances, parameters are subject to change without notice.