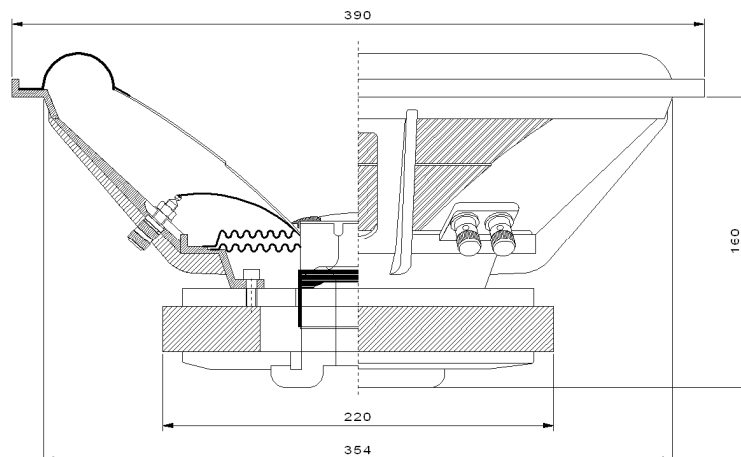


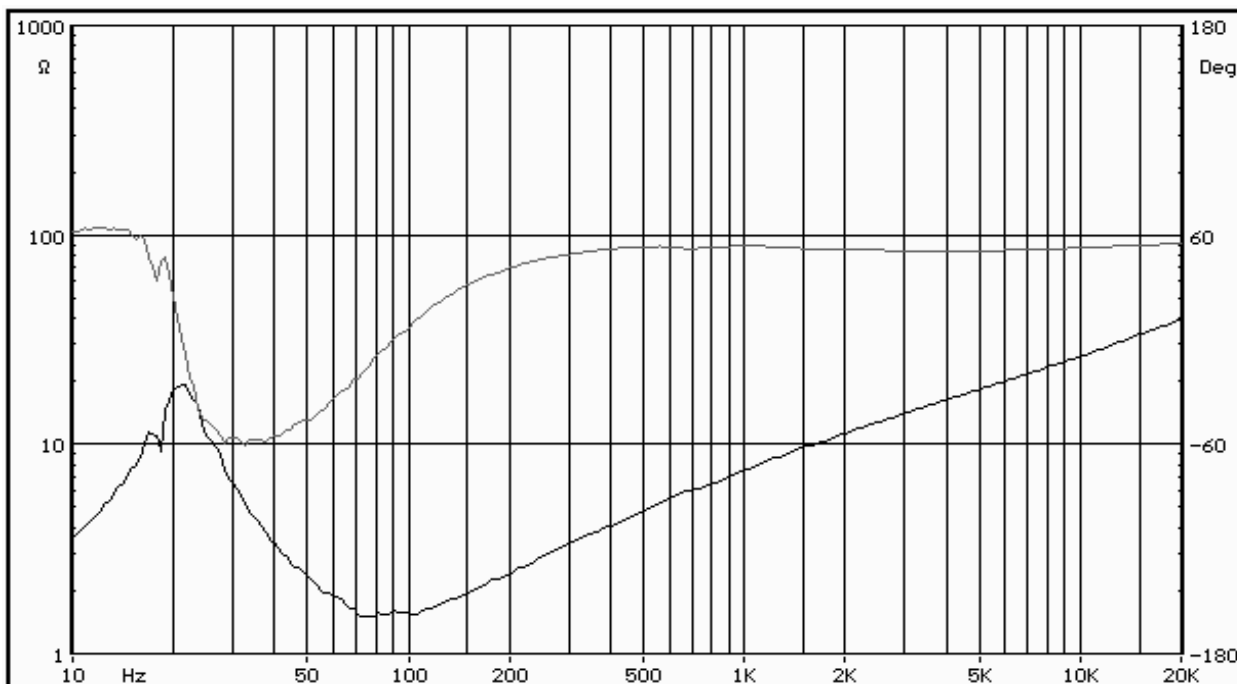
VIPERA F15.1

Le:	1.26 mH
Re:	1.8 ohm
Fs:	23 Hz
Qms:	7.68
Qts:	0.36
Vas:	184 l
Bl:	12.56 N/A
Ferq.Resp:	20-200 Hz

Sd:	780 cm²
Xmax:	48 mm
Pmax:	600 W
dBSpl:	91 dB



F15.1 PHASE/IMPEDANCE



TECHNICAL FEATURES

- CONE: Paper / Fiberglass in double coat treated for min. cone flexing and max. dumping, treated with an internal procedure in order to restore the piston movement.
- SUSPENSION: injection rubber / SPIDER: No.2pcs. in conex
- VOICE COIL: OFC voice coil support in fibreglass (∅ 65 mm). Vented pole for forced air cooling.
- BASKET, MAGNET: multi reinforced Aluminum.Magnet with ferrite ring.

This subwoofer has been created to satisfy the SPL fans without compromising the high quality. It can extend to the lowest in few liters; it is suitable to bass reflex alignments or band pass.

Note: It can bear high accelerations without losing its shape.

Phase and Impedance curves are measured after 20 hour of use at 80 W RMS, so are the T/S parameters. Due to the continue research and development, these information are subject to change without notice.

Laboratorio Audio s.n.c. Via del Progresso 26/A Castelgomberto (VI) AD audio development.