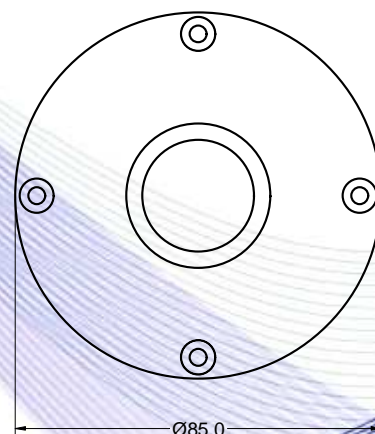
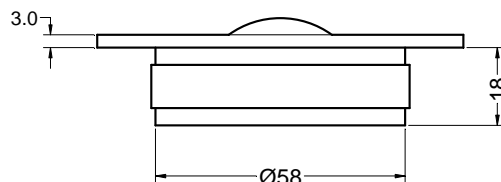


- 1" voice coil aluminium former
- Treated silk dome
- Ferrofluid in the air gap
- Ferrite magnet circuit
- 89.8 dB sensitivity

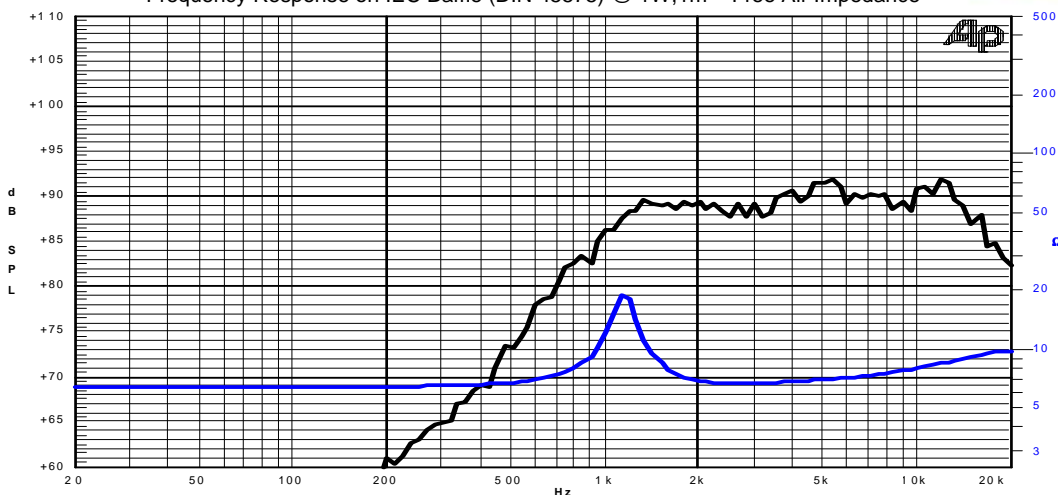


Specifications	
Nominal Diameter	85mm
Nominal Impedance	8Ω
Rated Power AES <sup>(1)</sup> (3000 - 20000 Hz)	20W
Continuous Program Power <sup>(2)</sup>	40W
Rated Noise Power (IEC 60268-5) <sup>(3)</sup>	80W
Sensitivity @ 1W/1m <sup>(4)</sup>	89.8dB
Voice Coil Diameter	25mm (1")
Voice Coil Winding Depth	1.8mm
Magnetic Gap Depth	3mm
Flux Density	1.06T
DC Resistance	6.30Ω
Resonance Frequency	1.1kHz
Magnet Weight	95g
Net Weight	0.26kg
Recommended Crossover Frequency	2.5kHz



Costructive Characteristics	
Magnet	: Ferrite
Voice Coil Winding Material	: Copper
Voice Coil Former Material	: Aluminium
Diaphragm	: Treated Silk
Ferrofluid in Air Gap	: Yes
Flange	: ABS
Spare Part Code	: -

Frequency Response on IEC Baffle (DIN 45575) @ 1W,1m – Free Air Impedance



Note:

- 1 : Rated Power measured with 2 hours test with pink noise signal, 6dB crest factor, loudspeaker mounted on enclosure
- 2: Power on Continuous Program is defined as 3 dB greater than the Rated Power
- 3: Rated Noise Power measured with 100 hours test pink noise, 6dB crest factor IFC60268-5 filtering
- 4: Measured at 1W,1m in axis within the frequency range
- 5: Drawing dimensions: mm