

1" - 100W Dome Tweeter

LP 66.25/N14 TW 8 Ω

Code Z008950

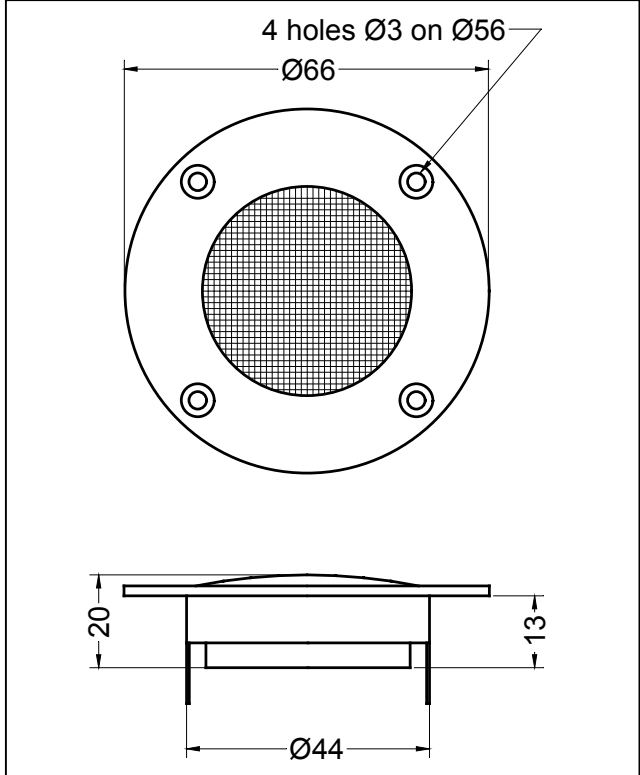
GENERAL CHARACTERISTICS		
Nominal Overall Diameter	66	mm
Nominal Voice Coil Diameter	25	mm
Magnet Weight	14	g
Flux Density.....	1.20	T
Weight.....	0.09	Kg

THIELE-SMALL PARAMETERS		
Voice Coil DC Resistance	R_E	6.00 Ω
Resonance Frequency	f_s	1350 Hz
Voice Coil Inductance @ 1kHz	L_E	0.35 mH

CONSTRUCTIVE CHARACTERISTICS	
Magnet.....	Neodymium
Voice Coil Winding.....	Copper Round Wire
Voice Coil Former.....	Aluminium
Voice Coil Winding Height.....	1.7 mm
Dome Material.....	Treated Silk
Flange	Plastic
Air Gap Height.....	2 mm
Ferrofluid in Air Gap	Yes

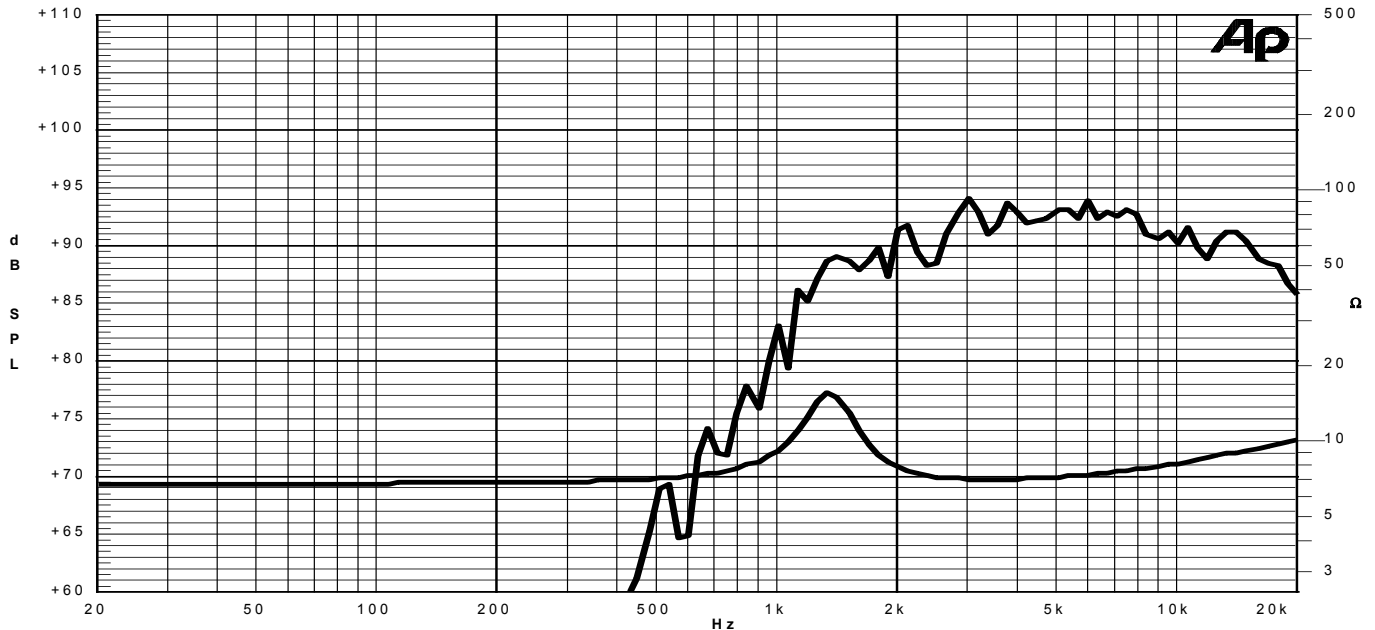
NOTES

ELECTRICAL CHARACTERISTICS		
Nominal Impedance.....	8	Ω
Musical Power	100	W
Rated Power*	50	W
Sensitivity @ 1 W, 1 m	90.7	dB



*rated power measured with 2 hours test with continuous pink noise signal, 6 dB crest factor, HP filter 4.5kHz-12dB/Oct

Free Air Frequency Response @ 1 W, 1 m - Impedance



Due to continuing product improvement, the features and the design are subject to change without notice.

09/03/05