

#### GENERAL CHARACTERISTICS

Nominal Overall Diameter .....	129	mm
Nominal Voice Coil Diameter .....	25	mm
Magnet Weight .....	270	g
Flux Density.....	1.10	T
Weight.....	0.80	Kg

#### THIELE-SMALL PARAMETERS

Voice Coil DC Resistance .....	$R_E$	3.00	Ω
Resonance Frequency .....	$f_s$	86.0	Hz
Total Q Factor .....	$Q_{TS}$	0.40	
Mechanical Moving Mass .....	$M_{MS}$	6.3	g
Mechanical Compliance .....	$C_{MS}$	550	μm/N
Force Factor .....	$B \times l$	4.88	Wb/m
Equivalent Acoustic Volume.....	$V_{AS}$	4.8	lt.
Maximum Linear Displacement ....	$X_{MAX}$	+/-2.0	mm
Diaphragm Area .....	$S_D$	78.5	cm <sup>2</sup>

#### WOOFER CONSTRUCTIVE CHARACTERISTICS

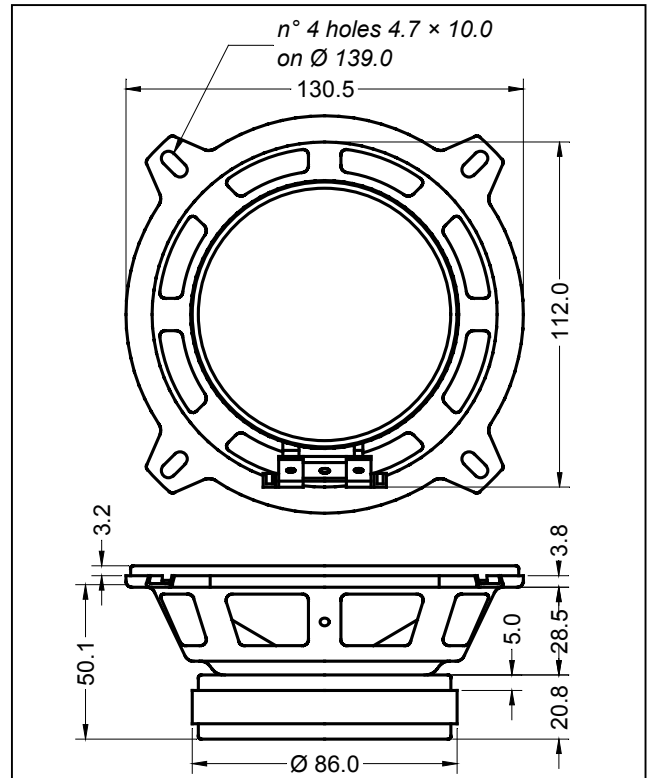
Magnet.....	Ferrite
Cone .....	Treated Paper
Surround.....	Rubber
Basket .....	Pressed Sheet Steel

#### TWEETER CONSTRUCTIVE CHARACTERISTICS

Type .....	Cone Dome
Dome Material.....	Macrofol
Magnet.....	Neodymium
Nominal Radiation Diameter .....	25 mm
Nominal Voice Coil Diameter .....	13 mm
Ferrofluid in Air Gap .....	Yes

#### ELECTRICAL CHARACTERISTICS

Nominal Impedance.....	4	Ω
Musical Power .....	100	W
Rated Power* .....	50	W
Sensitivity @ 1 W, 1 m .....	91.5	dB



\*rated power measured with 2 hours test with pink noise signal, 6 dB crest factor, loudspeaker mounted on enclosure

Frequency Response on IEC Baffle (DIN 45575) @ 1 W, 1 m - Impedance

