

12" - 700W Sub-Woofer

12 S3 PL - 8 Ω

Code Z007946

GENERAL CHARACTERISTICS

Nominal Overall Diameter	320	mm
Nominal Voice Coil Diameter	75	mm
Magnet Weight	360	g
Flux Density.....	1.22	T
Weight.....	3.45	Kg

THIELE-SMALL PARAMETERS

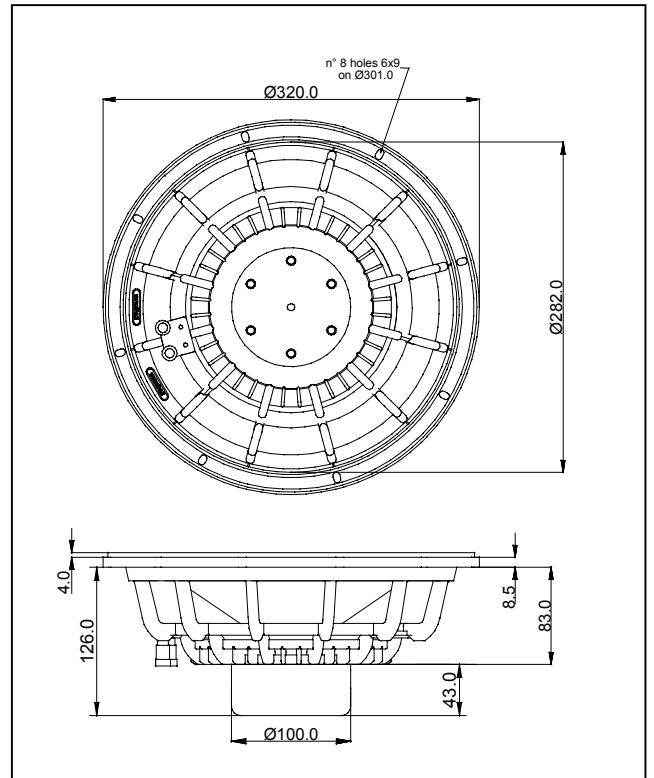
Voice Coil DC Resistance	R_E	5.01	Ω
Resonance Frequency	f_s	42.3	Hz
Mechanical Q Factor.....	Q_{MS}	14.87	
Electrical Q Factor.....	Q_{ES}	0.35	
Total Q Factor	Q_{TS}	0.34	
Mechanical Moving Mass	M_{MS}	75.9	g
Mechanical Compliance	C_{MS}	186	μm/N
Force Factor	$B \times l$	16.96	Wb/m
Equivalent Acoustic Volume.....	V_{AS}	69.4	lt.
Maximum Linear Displacement	X_{MAX}	+/-7.0	mm
Reference Efficiency	η_0	1.54	%
Diaphragm Area	S_D	530.9	cm ²
Losses Electrical Resistance.....	R_{ES}	211.8	Ω
Voice Coil Inductance @ 1kHz	L_E	1.04	mH

CONSTRUCTIVE CHARACTERISTICS

Magnet.....	Neodymium
Voice Coil Winding.....	Copper
Voice Coil Former.....	Fiberglass
Cone	Paper
Surround.....	Treated Cloth
Dust Dome	Solid Paper
Basket	Aluminium Die-Cast

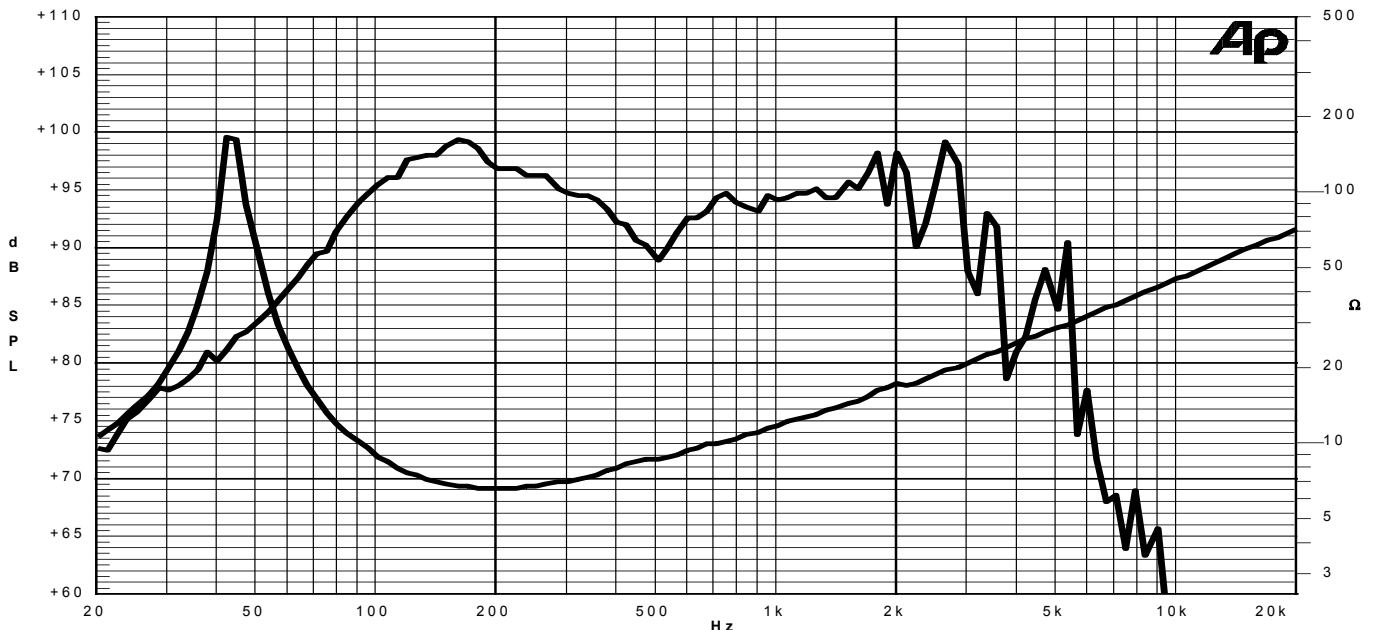
ELECTRICAL CHARACTERISTICS

Nominal Impedance.....	8	Ω
Musical Power	700	W
Rated Power*	350	W
Sensitivity @ 1 W, 1 m	96.1	dB



*rated power measured with 2 hours test with pink noise signal, 6 dB crest factor, loudspeaker mounted on enclosure
Thiele-Small parameters measured with LASER system

Frequency Response on IEC Baffle (DIN 45575) @ 1 W, 1 m - Impedance



Due to continuing product improvement, the features and the design are subject to change without notice.

09/06/10