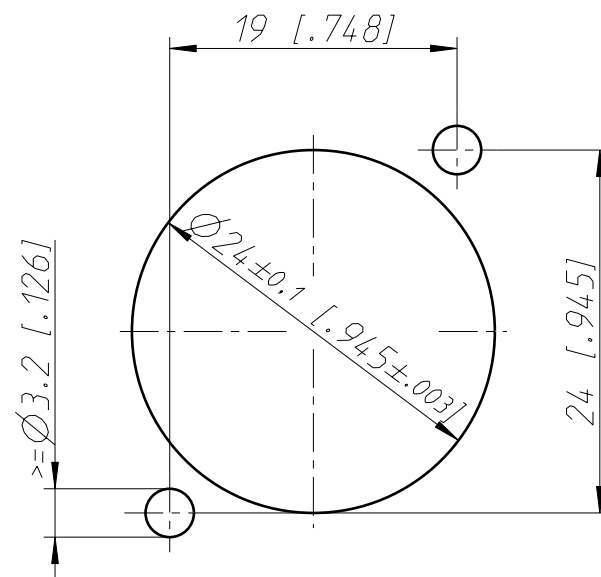
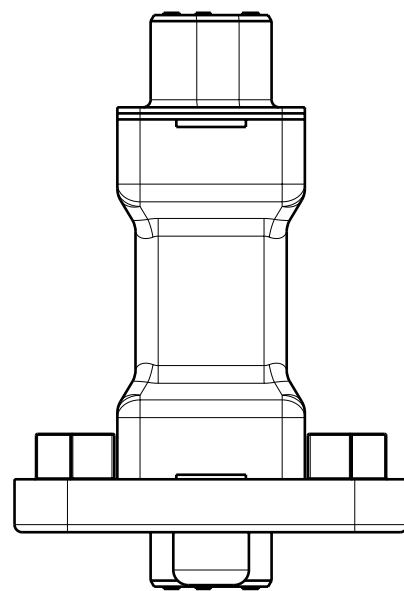


Frontplattenausschnitt (Rueckseite)
Panel cut out (rear side)



1:1

Refer to protection notice ISO 16016.	Scale 2:1 (A3)	Date 18.11.14	Name Karlinger
Name D-SUB NADB9FF	Drawn	Modified	Index
	Change-No.	Sheet-No. 1 / 1	-
Replacement for: Drawing-No.		ST-NADB9FF	
NEUTRIK			