

12"

Jensen®

AINiCo
Magnet

Special
Edition

The first in a new line of high quality professional speakers for the contemporary player, the 12" Blackbird brought an impressive 100 watt power handling and a smoother, more distortion-friendly tone, all with unmistakable Jensen character.

Powerful but classy, the Blackbird offers great dynamics, a very rich harmonic texture with plenty of warmth and a very open high end. Great clean and with distortion, the Blackbird sets new standards for high power Alnico speakers.

Jensen®

LOUDSPEAKERS

SOUND FEATURES very warm and smooth big tone, with deep, fat low end, rich, complex mids and open, airy highs.

COLORATION firm, authoritative and solid with overdrive, but still with good definition even with lots of high gain, full-bodied and detailed with clean tones.

APPLICATION Its balanced, deep voice, makes the Blackbird well suited for any style of music, from jazz to rock, seamlessly merging vintage and modern flavours.

SUGGESTED APPLICATION / USE
Can be used both in small combos, for a very clean, warm sound, and powerful amps for a well controlled break-up. Its great dynamic range and ability to deliver clean vintage tones as well as full saturated, modern blast, give it the versatility to fare well in old-style amps as well as in modern, high gain models.

BLACKBIRD

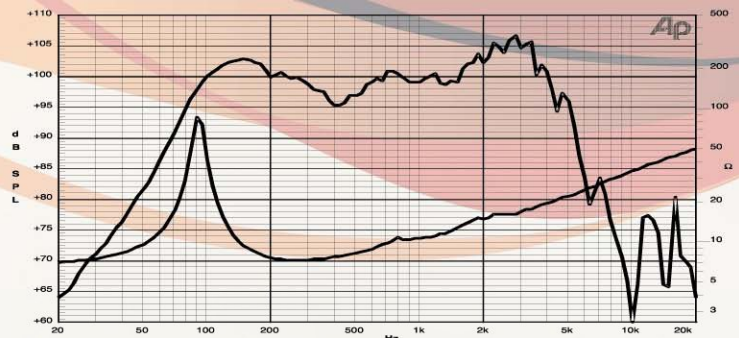
P 12/100 BB



SPECIFICATIONS

NOMINAL DIAMETER	307 mm	12"
POWER RATING		100 W
NOMINAL IMPEDANCE		8 Ω
CHASSIS		STEEL
VOICE COIL DIAMETER	50 mm	2"
MAGNET		AINiCo
MAGNET WEIGHT	826 g	1.8 lb
RESONANCE FREQUENCY		95.1 Hz
SENSITIVITY		98 dB
MOUNTING HOLES	n°8 Ø 6,5 mm	0.25"
ON	293,5 mm	11.5"
CUT-OUT DIAMETER	277 mm	10.9"
OVERALL DEPTH	176,4 mm	6.94"
NET WEIGHT	3,23 Kg	7.12 lb
SHIPPING WEIGHT	3,65 Kg	8 lb
PRODUCTION CODE		ZJ06060

FREQUENCY RESPONSE on IEC BAFFLE @ 1 W, 1 m and IMPEDANCE



12" - 200W AlNiCo Guitar Loudspeaker

P12/100 BB- 8 Ω

Code ZJ06060

GENERAL CHARACTERISTICS

Nominal Overall Diameter	307	mm
Nominal Voice Coil Diameter	50	mm
Magnet Weight	826	g
Flux Density.....	1.00	T
Weight.....	3.23	Kg

THIELE-SMALL PARAMETERS

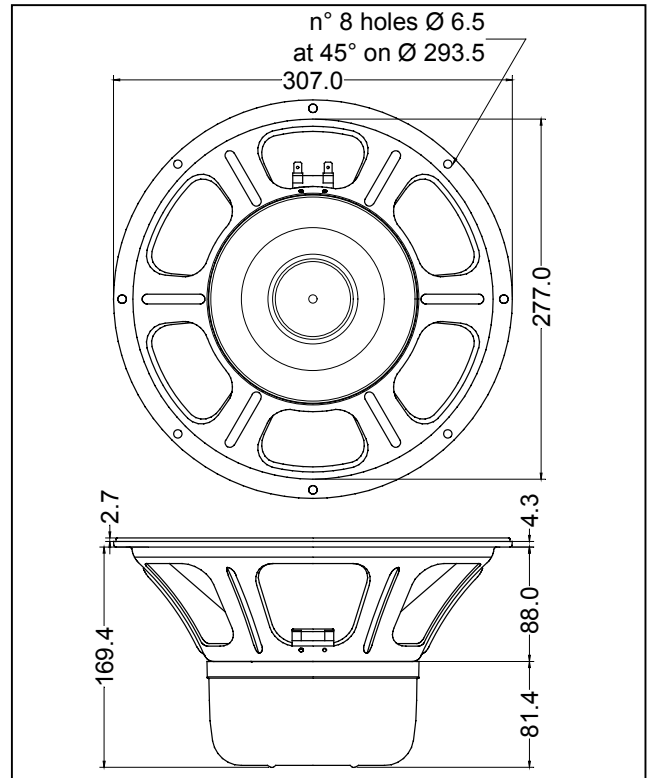
Voice Coil DC Resistance	R_E	6.30	Ω
Resonance Frequency	f_s	95.1	Hz
Mechanical Q Factor.....	Q_{MS}	11.81	
Electrical Q Factor.....	Q_{ES}	0.90	
Total Q Factor	Q_{TS}	0.84	
Mechanical Moving Mass	M_{MS}	27.7	g
Mechanical Compliance	C_{MS}	102	μm/N
Force Factor	$B \times l$	10.76	Wb/m
Equivalent Acoustic Volume.....	V_{AS}	34.4	lt.
Maximum Linear Displacement	X_{MAX}	+/-1.0	mm
Reference Efficiency	η_0	3.13	%
Diaphragm Area	S_D	490.8	cm ²
Losses Electrical Resistance.....	R_{ES}	82.7	Ω
Voice Coil Inductance @ 1kHz	L_E	0.59	mH

CONSTRUCTIVE CHARACTERISTICS

Magnet.....	AlNiCo
Voice Coil Winding.....	Aluminium
Voice Coil Former.....	Kapton
Cone	Paper
Surround.....	Paper - Integrated
Dust Dome	Non Treated Cloth
Basket	Pressed Sheet Steel

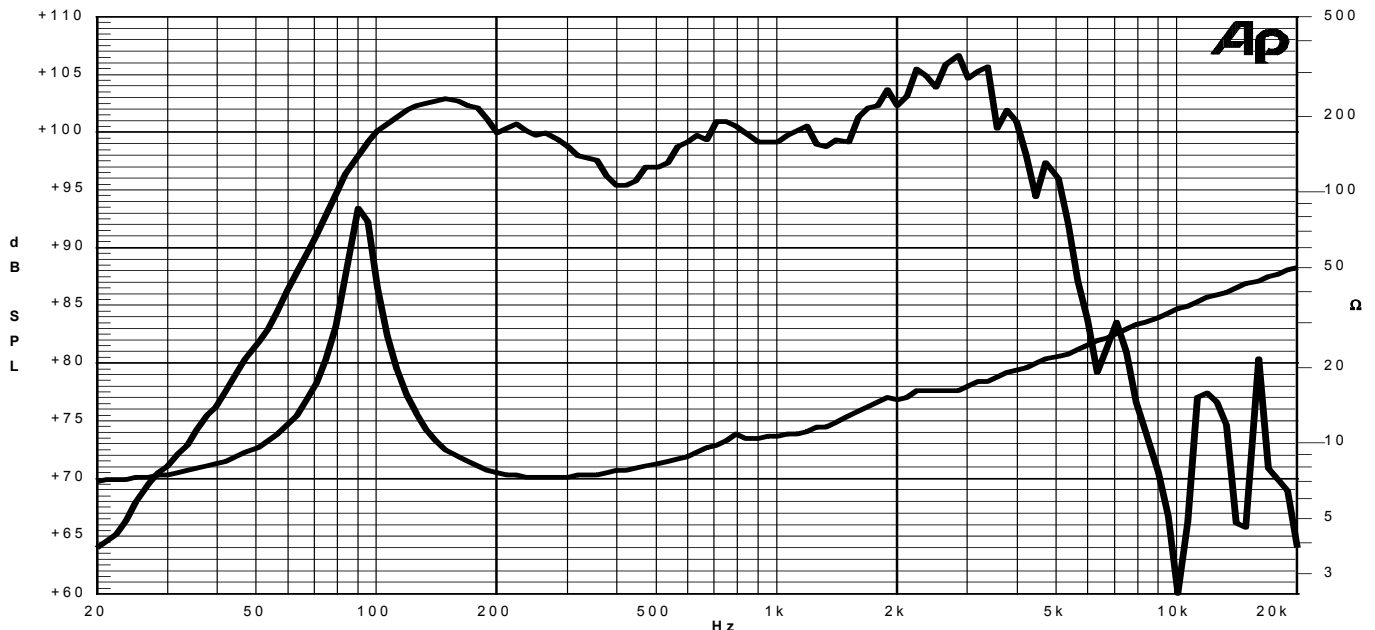
ELECTRICAL CHARACTERISTICS

Nominal Impedance.....	8	Ω
Musical Power	200	W
Rated Power*	100	W
Sensitivity @ 1 W, 1 m	98.0	dB



*rated power measured with 2 hours test with pink noise signal, 6 dB crest factor, loudspeaker mounted on enclosure

Frequency Response on IEC Baffle (DIN 45575) @ 1 W, 1 m - Impedance



Due to continuing product improvement, the features and the design are subject to change without notice.

22/08/06