

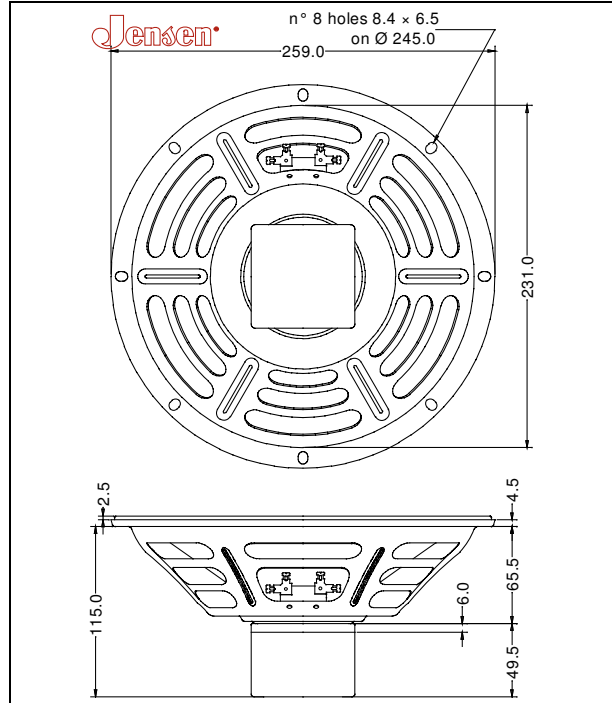
10" - 25W Vintage Alnico Guitar Loudspeaker P10R - 4Ω / 8Ω / 16Ω

GENERAL CHARACTERISTICS		
Nominal Overall Diameter	259 mm.	10 in.
Nominal Voice Coil Diameter	25 mm.	1.00 in.
Magnet Weight	200 g	7.00 oz
Overall Weight	3.15 lbs	
Flux Density	0.96 T	

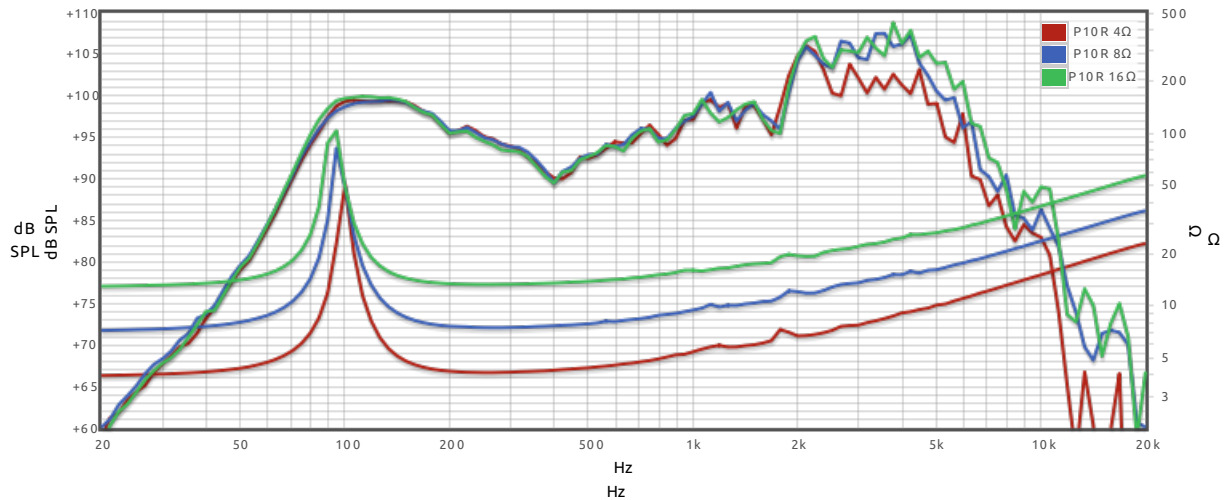
THIELE-SMALL PARAMETERS				
		4Ω	8Ω	16Ω
Voice Coil DC Resistance	R_E	3.60	6.70	12.30 Ω
Resonance Frequency	f_S	99.0	97.0	99.0 Hz
Mechanical Q Factor	Q_{MS}	23.80	23.55	23.40
Electrical Q Factor	Q_{ES}	1.46	1.60	1.94
Total Q Factor	Q_{TS}	1.37	1.50	1.79
Mechanical Moving Mass	M_{MS}	13.7	13.1	13.4 g
Mechanical Compliance	C_{MS}	189	207	193 μm/N
Force Factor	B_{XL}	4.60	5.86	7.27 Wb/m
Equivalent Acoustic Volume	V_{AS}	29.0	31.6	29.5 lt.
Maximum Linear Displacement	X_{MAX}	± 0.80	± 0.80	± 0.75 mm
Reference Efficiency	η_O	1.85	1.70	1.43 %
Diaphragm Area	S_D	330.0	330.1	330.0 cm ²
Losses Electrical Resistance	R_{ES}	59.2	102.0	149.0 Ω
Voice Coil Inductance @ 1kHz	L_E	0.35	0.54	0.75 mH

CONSTRUCTIVE CHARACTERISTICS	
Magnet	Alnico
Voice Coil Winding	Copper
Voice Coil Former	Kapton
Cone Material	Paper
Surround Material	Integrated Paper
Dust Dome Material	Felt
Basket Material	Pressed Sheet Steel

ELECTRICAL CHARACTERISTICS			
	4Ω	8Ω	16Ω
Nominal Impedance	4	8	16 Ω
Rated Power	25	25	25 W
Musical Power	50	50	50 W
Sensitivity@1W,1m	95.1	95.0	94.7 dB



Frequency Response on IEC Baffle (DIN 45575) @ 1 W, 1 m - Free Air Impedance



Due to continuing product improvement, the features and the design are subject to change without notice.