

10" - 70W AlNiCo Guitar Loudspeaker

P 10 Q - 16 Ω

Code ZJ05120

GENERAL CHARACTERISTICS

Nominal Overall Diameter	259	mm
Nominal Voice Coil Diameter	32	mm
Magnet Weight	300	g
Flux Density.....	1.05	T
Weight.....	1.64	Kg

THIELE-SMALL PARAMETERS

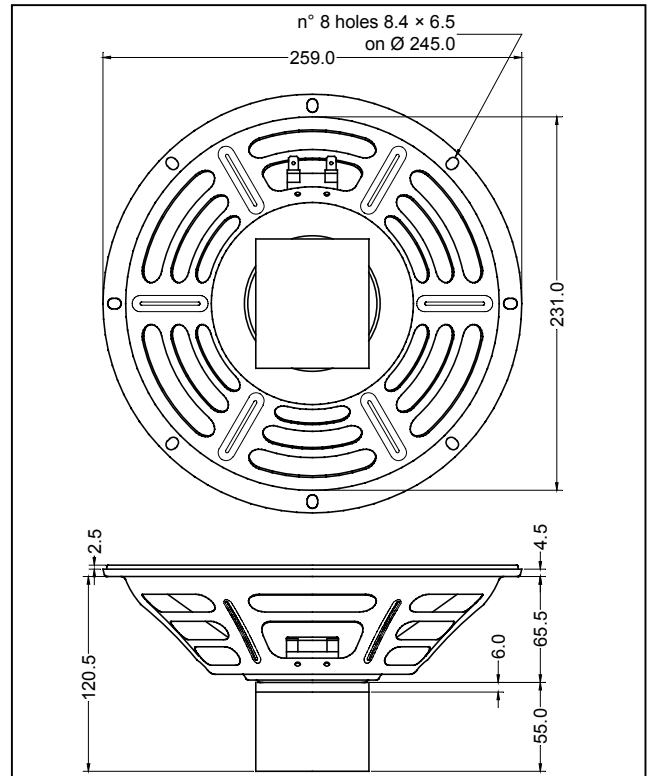
Voice Coil DC Resistance	R_E	12.03	Ω
Resonance Frequency	f_s	91.8	Hz
Mechanical Q Factor.....	Q_{MS}	8.44	
Electrical Q Factor.....	Q_{ES}	2.42	
Total Q Factor	Q_{TS}	1.88	
Mechanical Moving Mass	M_{MS}	17.2	g
Mechanical Compliance	C_{MS}	174	μm/N
Force Factor	$B \times l$	7.04	Wb/m
Equivalent Acoustic Volume.....	V_{AS}	26.6	lt.
Maximum Linear Displacement	X_{MAX}	+/-1.0	mm
Reference Efficiency	η_0	0.82	%
Diaphragm Area	S_D	330.0	cm ²
Losses Electrical Resistance.....	R_{ES}	42.0	Ω
Voice Coil Inductance @ 1kHz	L_E	0.79	mH

CONSTRUCTIVE CHARACTERISTICS

Magnet.....	AlNiCo
Voice Coil Winding.....	Copper
Voice Coil Former.....	Epotex
Cone	Paper
Surround.....	Paper - Integrated
Dust Dome	Solid Paper
Basket	Pressed Sheet Steel

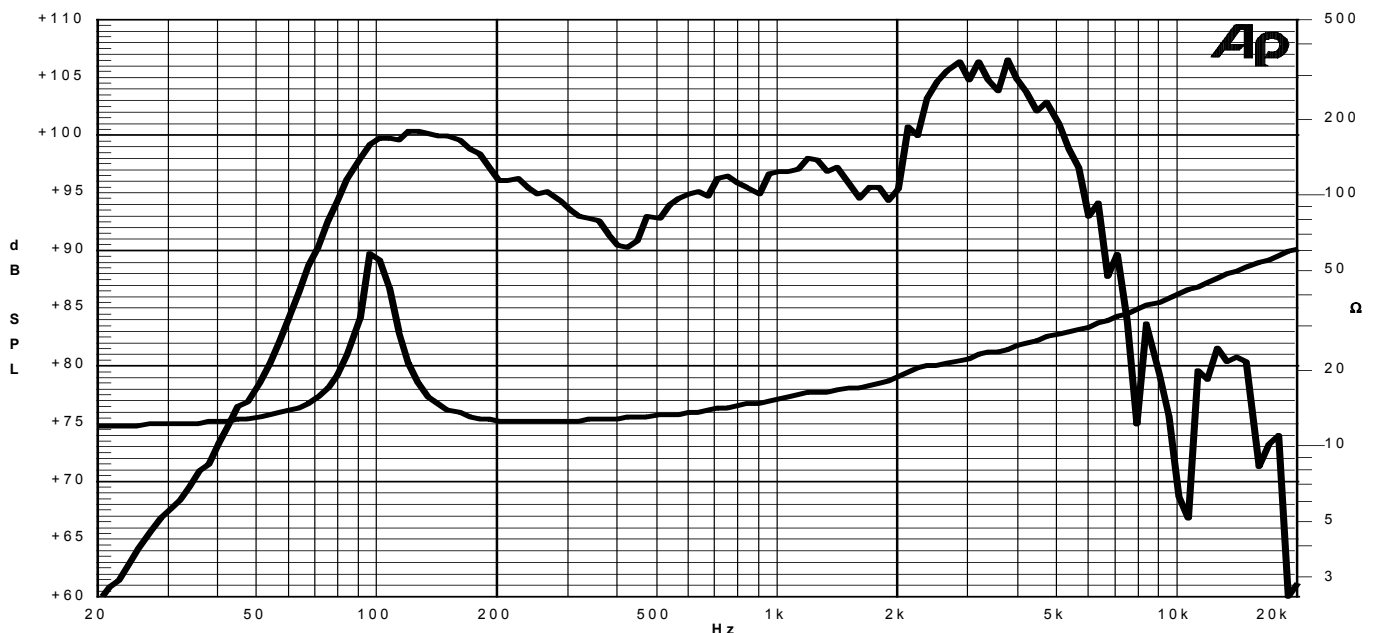
ELECTRICAL CHARACTERISTICS

Nominal Impedance.....	16	Ω
Musical Power	70	W
Rated Power*	35	W
Sensitivity @ 1 W, 1 m	92.4	dB



*rated power measured with 2 hours test with pink noise signal, 6 dB crest factor, loudspeaker mounted on enclosure

Frequency Response on IEC Baffle (DIN 45575) @ 1 W, 1 m - Impedance



Due to continuing product improvement, the features and the design are subject to change without notice.

17/09/07