

**LOWS:**  
Tight

**MIDS:**  
Firm

**HIGHS:**  
Bright

**OVERDRIVE:**  
Crunchy

## Sound Features:

### Guitarist Description:

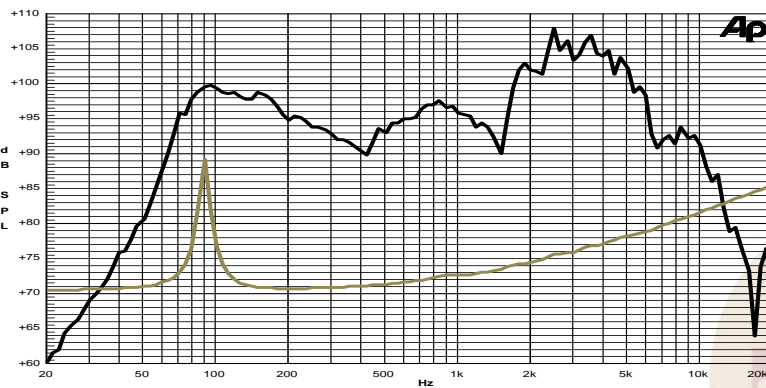
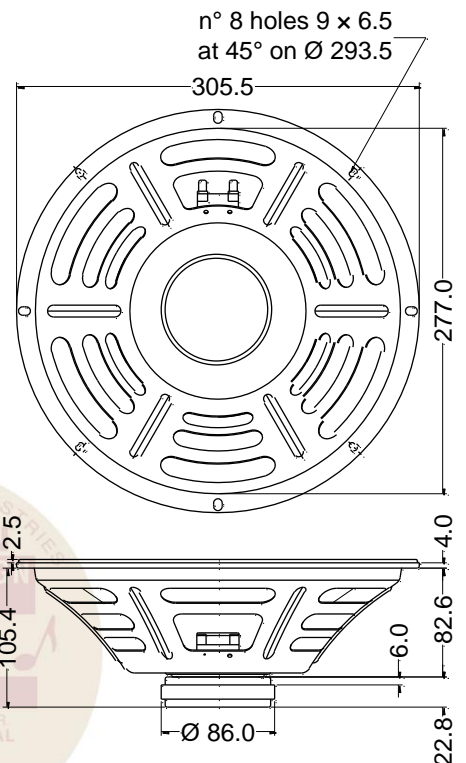
Warm low and mid response with smooth/bright highs.

When presented with overdrive distortion, it has a smooth crunch with low-end focus.

Specifications	
Nominal Diameter	306 mm (12")
Nominal Impedance	8 Ω
Rated Power AES <sup>(1)</sup>	25 W
Continuous Program Power <sup>(2)</sup>	50 W
Sensitivity @ 1W/1m	92.3 dB
Voice Coil Diameter	25 mm
Voice Coil Winding Depth	8 mm
Magnetic Gap Depth	6 mm
Flux Density	1.00 T
Magnet Weight	270 g
Net Weight	1.4 kg

Thiele & Small Parameters <sup>(3)</sup>			
Re	6.70 Ω	Fs	88.3 Hz
Qms	18.52	Mms	29.5 g
Qts	2.47	Bxl	6.24 Tm
Cms	110 μm/N	Sd	490.9 cm <sup>2</sup>
Vas	37.5 l	Le (1kHz)	0.49 mH

Constructive Characteristics	
Magnet	Ferrite
Basket Material	Pressed Sheet Steel
Voice Coil Winding Material	Copper
Voice Coil Former Material	Kapton
Cone Material	Paper
Surround Treatment	No
Surround Material	Paper - Integrated
Dust Dome Material	Felt



**Note:**

- 1: Rated Power measured with 2 hours test with pink noise signal, 6dB crest factor, loudspeaker mounted on enclosure
- 2: Power on Continuous Program is defined as 3 dB greater than the Rated Power
- 3: Thiele & Small parameters measured with laser system without preconditioning test
- 4: Drawing dimensions: mm
- 5: The notch around 400Hz on the frequency response is typical of the measurement on IEC baffle

