

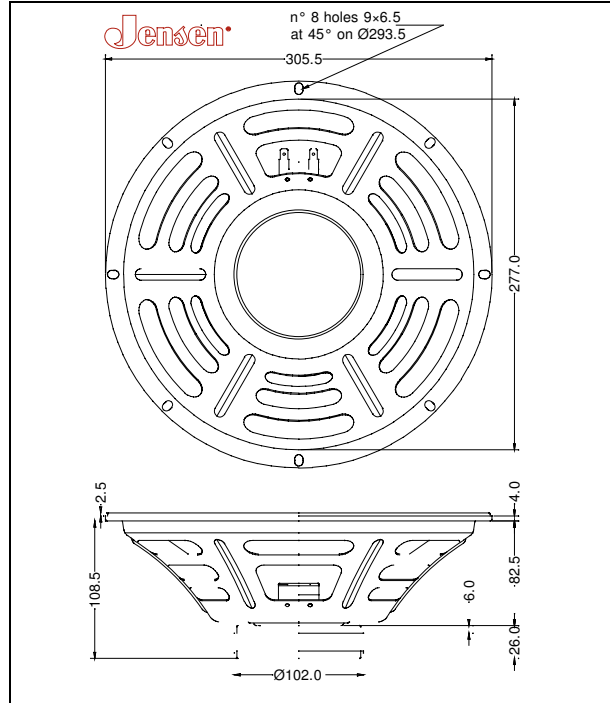
12"- 35W Vintage Ceramic Guitar Loudspeaker C12Q - 8Ω

GENERAL CHARACTERISTICS		
Nominal Overall Diameter	306 mm.	12 in.
Nominal Voice Coil Diameter	32 mm.	1.25 in.
Magnet Weight	426 g	15.00 oz
Overall Weight		4.10 lbs
Flux Density		0.92 T

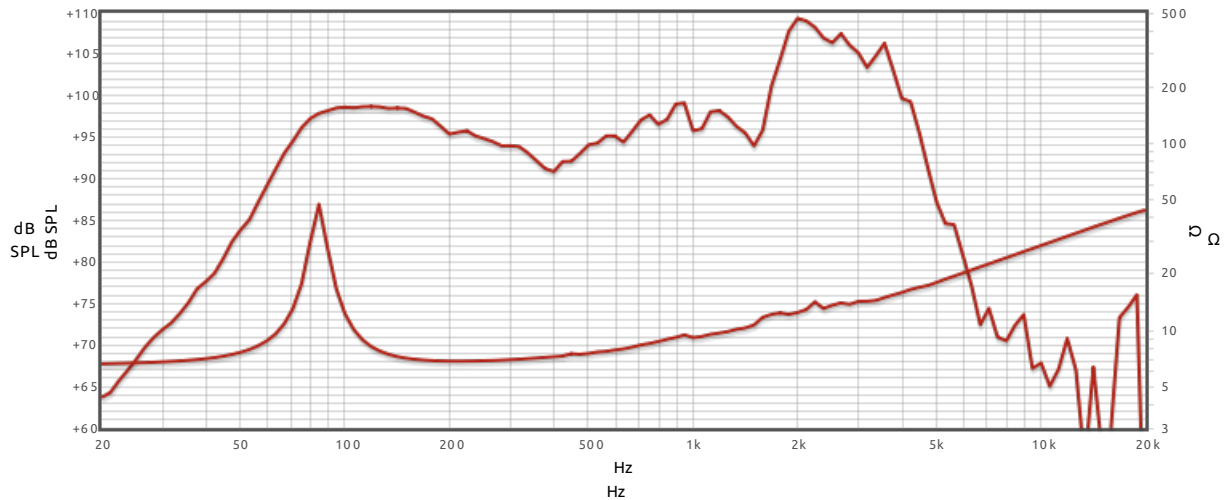
THIELE-SMALL PARAMETERS			8Ω
Voice Coil DC Resistance	R_E	6.36	Ω
Resonance Frequency	f_S	87.3	Hz
Mechanical Q Factor	Q_{MS}	13.14	
Electrical Q Factor	Q_{ES}	1.94	
Total Q Factor	Q_{TS}	1.69	
Mechanical Moving Mass	M_{MS}	25.5	g
Mechanical Compliance	C_{MS}	130	μm/N
Force Factor	$B \times L$	6.78	Wb/m
Equivalent Acoustic Volume	V_{AS}	44.1	lt.
Maximum Linear Displacement	X_{MAX}	± 1.50	mm
Reference Efficiency	η_0	1.45	%
Diaphragm Area	S_D	490.8	cm ²
Losses Electrical Resistance	R_{ES}	43.2	Ω
Voice Coil Inductance @ 1kHz	L_E	0.63	mH

CONSTRUCTIVE CHARACTERISTICS	
Magnet	Ferrite
Voice Coil Winding	Copper
Voice Coil Former	Epotex
Cone Material	Paper
Surround Material	Integrated Paper
Dust Dome Material	Solid Paper
Basket Material	Pressed Sheet Steel

ELECTRICAL CHARACTERISTICS		8Ω
Nominal Impedance		8 Ω
Rated Power		35 W
Musical Power		70 W
Sensitivity@1W,1m		94.6 dB



Frequency Response on IEC Baffle (DIN 45575) @ 1 W, 1 m - Free Air Impedance



Due to continuing product improvement, the features and the design are subject to change without notice.