

Jensen Vintage Ceramic Series

12" - 100W Vintage Ceramic Loudspeaker

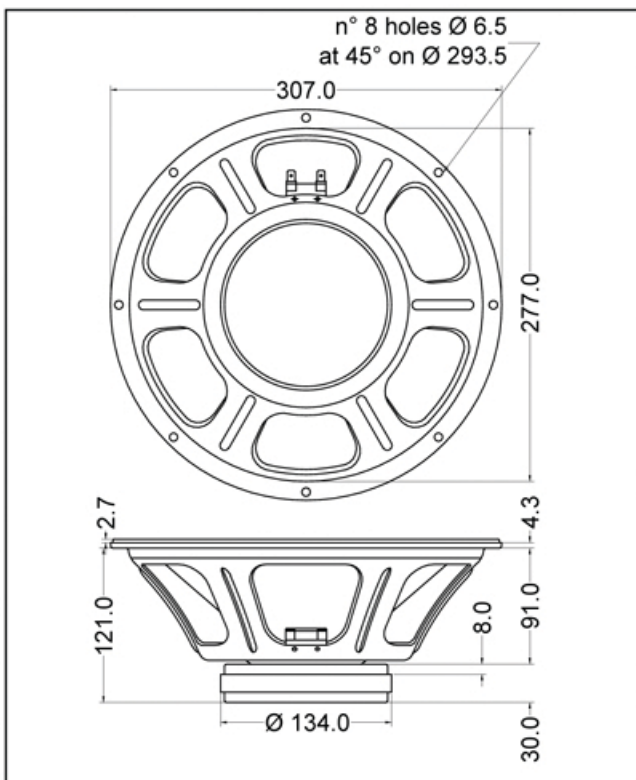
C 12 N - 8 Ω
Code ZJ06141

GENERAL CHARACTERISTICS		
Nominal Overall Diameter	307	mm
Nominal Voice Coil Diameter	38	mm
Magnet Weight	810	g
Flux Density.....	1.15	T
Weight.....	3.27	Kg

THIELE-SMALL PARAMETERS		
Voice Coil DC Resistance	R_E	6.50 Ω
Resonance Frequency	f_s	112.0 Hz
Mechanical Q Factor.....	Q_{MS}	7.01
Electrical Q Factor.....	Q_{ES}	1.05
Total Q Factor.....	Q_{TS}	0.92
Mechanical Moving Mass	M_{MS}	25.2 g
Mechanical Compliance.....	C_{MS}	82 μm/N
Force Factor	$B \times l$	10.39 Wb/m
Equivalent Acoustic Volume.....	V_{AS}	27.6 lt.
Maximum Linear Displacement ...	X_{MAX}	+/-1.0 mm
Reference Efficiency	η_0	3.48 %
Diaphragm Area	S_D	490.8 cm ²
Losses Electrical Resistance.....	R_{ES}	42.5 Ω
Voice Coil Inductance @ 1kHz	L_E	0.90 mH

CONSTRUCTIVE CHARACTERISTICS	
Magnet.....	Ferrite
Voice Coil Winding.....	Copper
Voice Coil Former.....	Kapton
Cone	Paper
Surround.....	Paper - Integrated
Dust Dome	Solid Paper
Basket	Pressed Sheet Steel

ELECTRICAL CHARACTERISTICS	
Nominal Impedance.....	8 Ω
Musical Power	100 W
Rated Power*	50 W
Sensitivity @ 1 W, 1 m	98.4 dB



*rated power measured with 2 hours test with pink noise signal, 6 dB crest factor, loudspeaker mounted on enclosure

Frequency Response on IEC Baffle (DIN 45575) @ 1 W, 1 m - Impedance

