

Jensen Vintage Ceramic Series

12"- 200W Ceramic Guitar Loudspeaker

C 12 K - 8 Ω
Code ZJ06021

GENERAL CHARACTERISTICS

Nominal Overall Diameter	307	mm
Nominal Voice Coil Diameter	50	mm
Magnet Weight	1450	g
Flux Density.....	1.10	T
Weight.....	4.31	Kg

THIELE-SMALL PARAMETERS

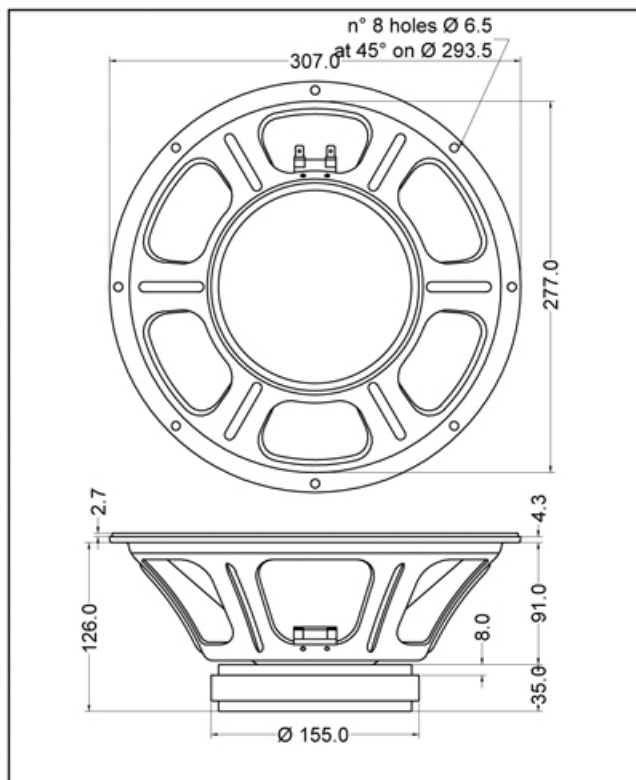
Voice Coil DC Resistance	R_E	7.00	Ω
Resonance Frequency	f_s	104.0	Hz
Mechanical Q Factor.....	Q_{MS}	20.41	
Electrical Q Factor.....	Q_{ES}	0.67	
Total Q Factor.....	Q_{TS}	0.65	
Mechanical Moving Mass	M_{MS}	28.8	g
Mechanical Compliance.....	C_{MS}	82	$\mu\text{m}/\text{N}$
Force Factor	$B \times l$	13.95	Wb/m
Equivalent Acoustic Volume.....	V_{AS}	27.6	lt.
Maximum Linear Displacement ...	X_{MAX}	+/-1.0	mm
Reference Efficiency	η_0	4.43	%
Diaphragm Area	S_D	490.9	cm^2
Losses Electrical Resistance.....	R_{ES}	210.0	Ω
Voice Coil Inductance @ 1kHz	L_E	0.84	mH

CONSTRUCTIVE CHARACTERISTICS

Magnet.....	Ferrite
Voice Coil Winding.....	Copper
Voice Coil Former.....	Kapton
Cone	Paper
Surround.....	Paper - Integrated
Dust Dome	Non Treated Cloth
Basket	Pressed Sheet Steel

ELECTRICAL CHARACTERISTICS

Nominal Impedance.....	8	Ω
Musical Power	200	W
Rated Power*	100	W
Sensitivity @ 1 W, 1 m	99.1	dB



*rated power measured with 2 hours test with pink noise signal, 6 dB crest factor, loudspeaker mounted on enclosure

Frequency Response on IEC Baffle (DIN 45575) @ 1 W, 1 m - Impedance

