

Jensen Vintage Ceramic Series 10"- 70W Vintage Ceramic Loudspeaker C 10 Q - 8 Ω Code ZJ05060

GENERAL CHARACTERISTICS

Nominal Overall Diameter	259	mm
Nominal Voice Coil Diameter	32	mm
Magnet Weight	426	g
Flux Density.....	0.92	T
Weight.....	1.64	Kg

THIELE-SMALL PARAMETERS

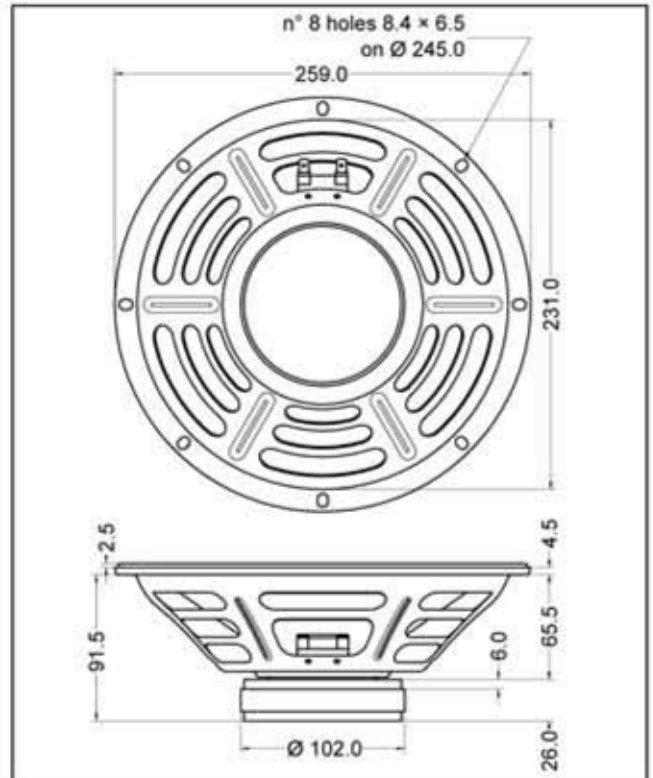
Voice Coil DC Resistance	R_E	6.00	Ω
Resonance Frequency	f_s	96.0	Hz
Mechanical Q Factor.....	Q_{MS}	11.57	
Electrical Q Factor.....	Q_{ES}	1.34	
Total Q Factor.....	Q_{TS}	1.20	
Mechanical Moving Mass	M_{MS}	16.6	g
Mechanical Compliance.....	C_{MS}	168	μm/N
Force Factor	$B \times l$	6.68	Wb/m
Equivalent Acoustic Volume.....	V_{AS}	25.7	lt.
Maximum Linear Displacement	X_{MAX}	+/-1.5	mm
Reference Efficiency	η_D	1.61	%
Diaphragm Area	S_D	330.0	cm ²
Losses Electrical Resistance.....	R_{ES}	52.0	Ω
Voice Coil Inductance @ 1kHz	L_E	0.62	mH

CONSTRUCTIVE CHARACTERISTICS

Magnet.....	Ferrite
Voice Coil Winding.....	Copper
Voice Coil Former.....	Epotex
Cone	Paper
Surround.....	Paper - Integrated
Dust Dome	Solid Paper
Basket	Pressed Sheet Steel

ELECTRICAL CHARACTERISTICS

Nominal Impedance.....	8	Ω
Musical Power	70	W
Rated Power*	35	W
Sensitivity @ 1 W, 1 m	95.2	dB



*rated power measured with 2 hours test with pink noise signal, 6 dB crest factor, loudspeaker mounted on enclosure

Frequency Response on IEC Baffle (DIN 45575) @ 1 W, 1 m - Impedance

