

FiiO[®]

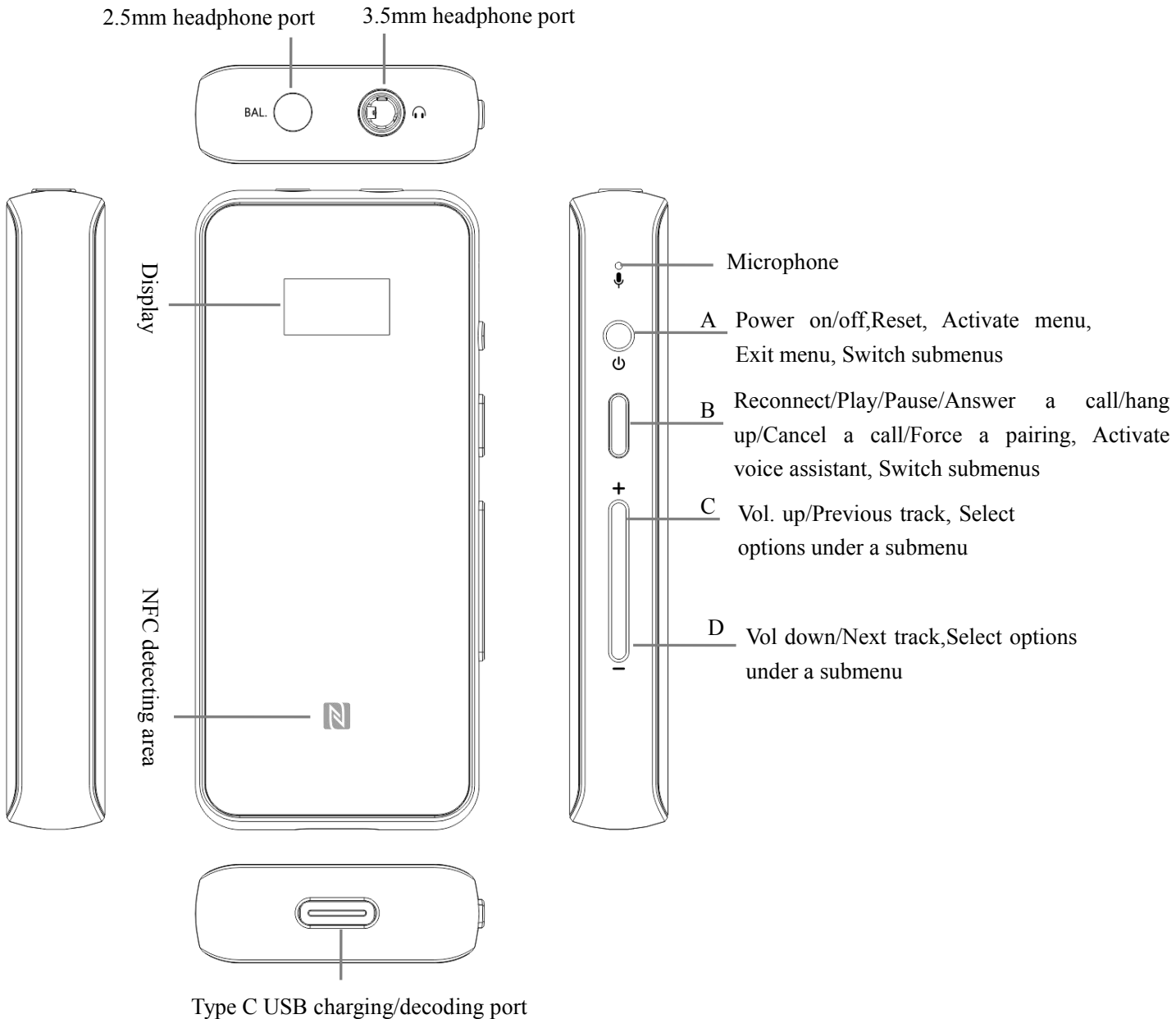
快速入门指南

Quick Start Guide



Model No: BTR5

Buttons and Ports Labeled



1. Operation Explained

Power on: Hold button A for about 3 seconds while the device is off.

Power off: Hold button A for about 5 seconds while the device is on.

Reset: Hold button A for about 10 seconds.

Turn off/on the display: While the device powers on and not on the menu page, short press button A.

Activate menu: While the device powers on and not on the menu page, hold button A for about 2 seconds.

Exit menu: Hold button A for about 2 seconds on the menu page.

Switch submenus: Short press button A/B on the menu page.

Select options under a submenu: Short press button C/D on the menu page.

Enter pairing mode: (not on the menu page)

1) Power on for the first time: The device will automatically enter the pairing mode with the display showing 'pairing'.

2) Force the device to enter pairing mode: Hold button B for about 5 seconds when the device powers on. The display will show 'pairing'.

Operation instructions after a successful pairing(not on the menu page)

Activate Siri/voice assistant: Double press button B.

Play/Pause/Answer a phone call/Hang up/Cancel a phone call: short press button B.

Reject a phone call: Hold button B for about 2 seconds when there is an incoming call.

Volume up/down: Short press button C/D.

Switch tracks: Hold button C/D for about 2 seconds to switch to the previous/next track.

Clear pairing: Hold button C and D at the same time for about 5 seconds when the device is on.

How to connect the BTR5 to two Bluetooth devices simultaneously

After a successful pairing with device1, hold button B for about 5 seconds to enter the pairing mode again. Search for "BTR5" on device 2 and pair it with the BTR5. Back to device 1, select "FiiO BTR5" in the Bluetooth device list and reconnect them. You could also restart the BTR5 after a successful pairing with device2, so the BTR5 can be connected to two Bluetooth devices simultaneously.

Note: The BTR5 supports a simultaneous connection to at most two devices.


Enter reconnecting mode(not on the menu page)

- 1) If the device lost connection (the display will show "RECONNECT"), short press button B to start the re-connection.
- 2) When the device is restarted, it will automatically reconnect to the last connected device.

One-touch NFC pairing:

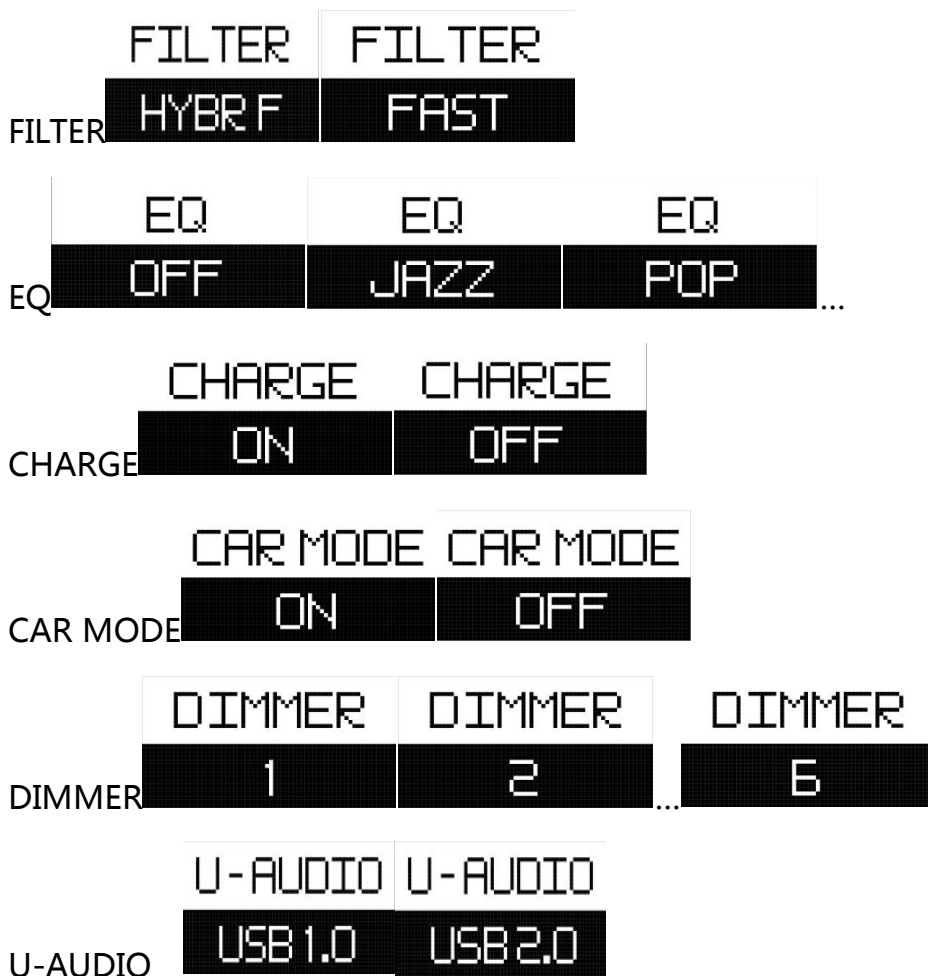
When the BTR5 powers on and the Android device is unlocked with NFC enabled, tap the detecting area of the BTR5 to start the pairing.

Charge settings:

Connect the BTR5 to a USB power supply when it is on, or turn it on after inserting a USB power supply. The display will pop up a prompt of whether to disable the charging function, showing as "CHARGE OFF?" . At this time, press any button to disable the charging function. If there is no operation in 10 seconds, the charging function will be enabled as default. This function is very convenient when the BTR5 is working as a decoder for mobile phones.

Note: If the prompt page is closed after time is up, you can still choose to enable or disable the charging function on the menu.

2. Menu Descriptions



	GAIN	GAIN
GAIN	L	H

Notes:

FILTER	Hybrid fast roll-off; Fast roll-off
EQ	OFF, Jazz, Pop...
CHARGE	On: Charge the BTR5 when connecting to USB; OFF: No charging when connecting to USB
CAR MODE	On: The BTR5 will power on automatically after the vehicle engine starts and power off after the engine shuts off
DIMMER	Adjust screen brightness level: 1~6
U-AUDIO	USB1.0: Driverless under USB 1.0 USB2.0: High bit rate transferring under USB2.0
GAIN	'L' means power saving with lower power output. 'H' means increased power consumption with higher power output.

3. Connect to the computer to enjoy music

When using USB Audio 2.0 mode for Windows computers, please go to FiiO's official website to download and install the USB DAC driver. (For MAC computers, there is no need to install the driver, but it requires selecting the BTR5 as the default device for audio output). FiiO Support website: https://www.fii.com/Driver_Download

When using USB Audio 1.0 mode, no driver is required. Just select the BTR5 as the default audio output device after connecting it to the computer. It is recommended to adjust the volume of the computer to max level, and control the output volume on the BTR5.

Notes:

★ You'll need to unplug and plug the BTR5 after switching the USB Audio mode between 1.0 and 2.0.

★ When working as a USB DAC under 2.0 mode, the BTR5 supports MQA Renderer, which will show "MQA" on the display. It requires working with a music application that supports MQA Core Decoder.

★ If the BTR5 is connected through both Bluetooth and USB DAC, the USB DAC will default to be prior to the Bluetooth. You can also switch to Bluetooth first in the FiiO Music APP for your preference.

★ When connecting through Bluetooth or USB DAC, the BTR5 supports volume adjustment of 60 levels.

4. Notes and Precautions

★ It's recommended to charge the device with a standard 5V charger.

★ Please don't place the device in circumstances of excessive high/low temperature (above 45°C or below 0°C).

★ Please keep the device away from liquids, so to avoid any damage to it.

★ If the device is to be left unused for a long time, please recharge it periodically to preserve its battery life.

★ Please adjust the volume to a suitable level before putting on the earphones, so to protect your hearing.

★ Please do not disassemble, damage the battery, or drop it into fire. It's prohibited to continue using the battery if it is soaked in water.

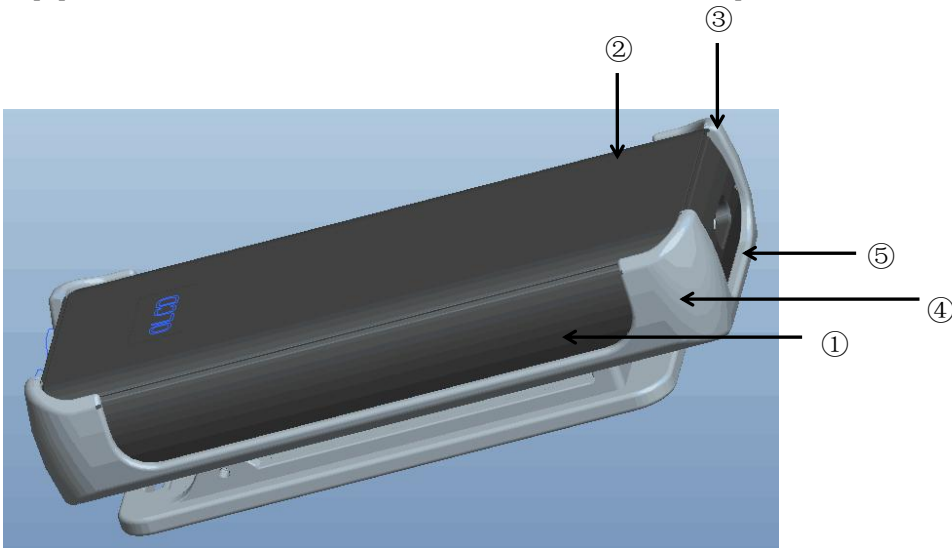
5.List of Items Included

BTR5*1	Type C USB cable *1	Removable rear clip*1
Quick start guide *1	Warranty card *1	

6. Learn More

To learn more about the product, please visit our website: www.fiio.com.

Appendix: How to Remove the Rear Clip



Hold the BTR5 with yourself hand and keep its top or rear end in the middle of your left palm. Put your left index finger and thumb on the BTR5 at position ①② (as shown in the image). Then use your right thumb and index finger to pull the clip at position ③ ④ away from the BTR5. When you see a gap appears between the BTR5 and the clip at position ⑤, use your right index finger to take the clip off by position ⑤.