

KEY FEATURES

- Superior high frequency sound reproduction
- Extended frequency response (1 - 23 kHz)
- High sensitivity (92 dB)
- Extremely linear frequency response
- Extremely low distortion
- Designed for high quality studio monitoring and High-End sound systems



TECHNICAL SPECIFICATIONS

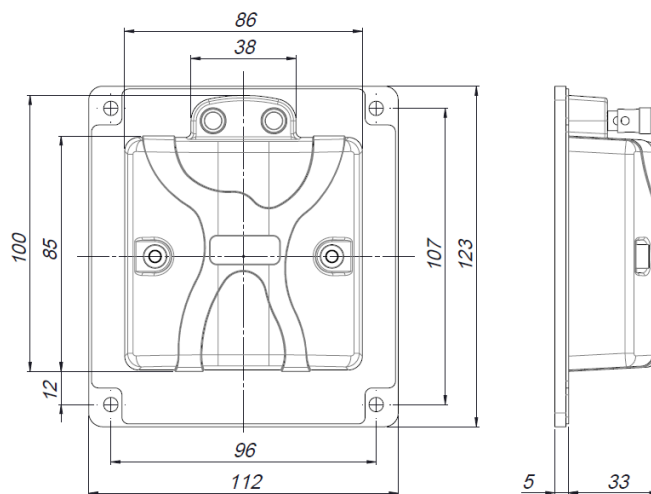
Rated impedance	8 Ω
D.C. resistance	4,9 Ω
Power capacity ¹	40 W _{AES} above 1,2 kHz
Program power ²	80 W above 1,2 kHz
Sensitivity ³	92 dB 1W / 1m @ Z _N
Frequency range	1 - 23 kHz
Recommended crossover	1,2 kHz or higher (12 dB/oct min.)



MOUNTING INFORMATION

Overall dimensions	123 x 112 x 38 mm 4,8 x 4,4 x 1,5 in
Cutout dimensions	100 x 86 mm 3,9 x 3,4 in
Mounting	Four M5 holes
Net weight	0,7 kg 1,5 lb
Shipping weight	0,8 kg 1,8 lb

DIMENSION DRAWING

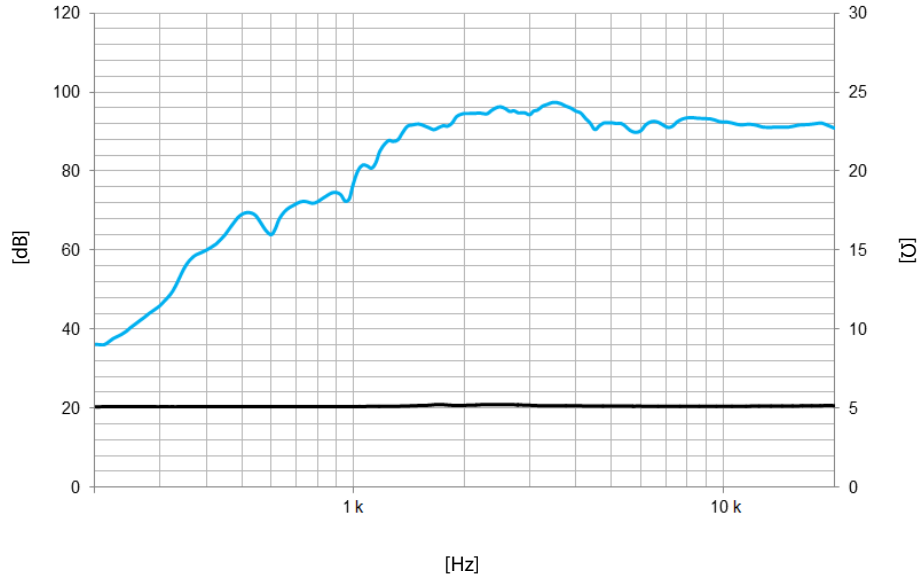


Notes:

¹ The power capacity is determined according to AES2-1984 (r2003) standard.

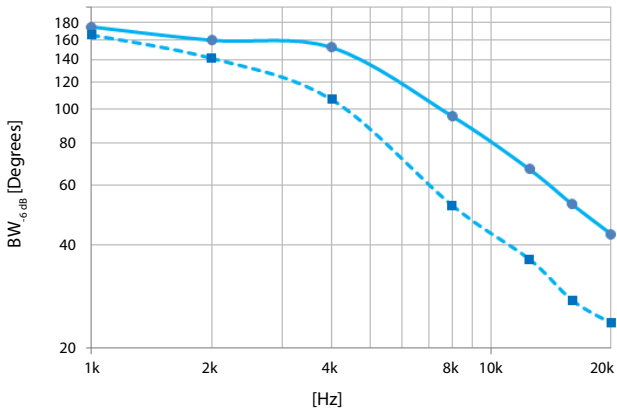
² Program power is defined as power capacity + 3 dB.

³ Sensitivity was measured at 1m distance, on axis, with 1W input, averaged in the range 1 - 9 kHz



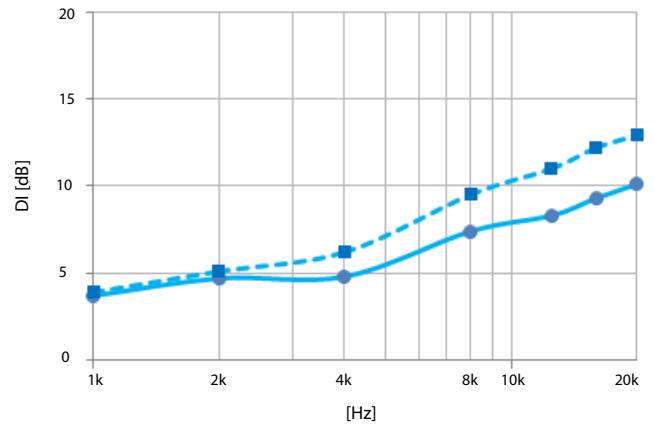
Note: On axis frequency response measured in anechoic chamber, 1W / 1m

-6 dB BEAMWIDTH



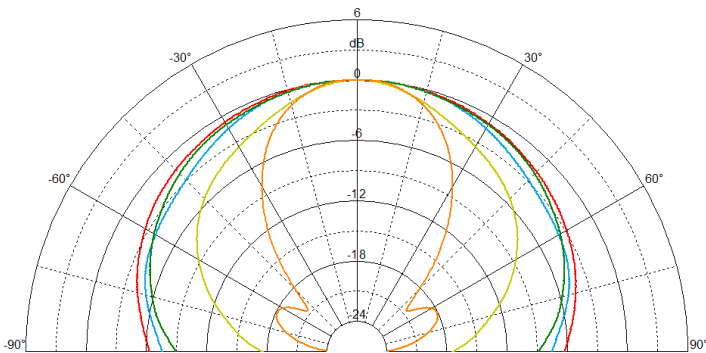
Horizontal Vertical

DIRECTIVITY INDEX

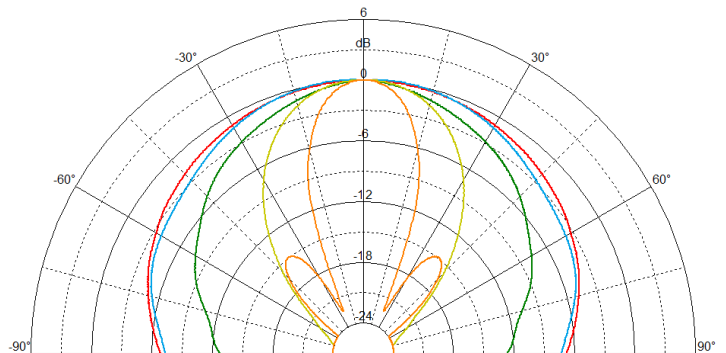


Horizontal Vertical

HORIZONTAL POLAR PATTERN



VERTICAL POLAR PATTERN



1 kHz 2 kHz 4 kHz 8 kHz 16 kHz