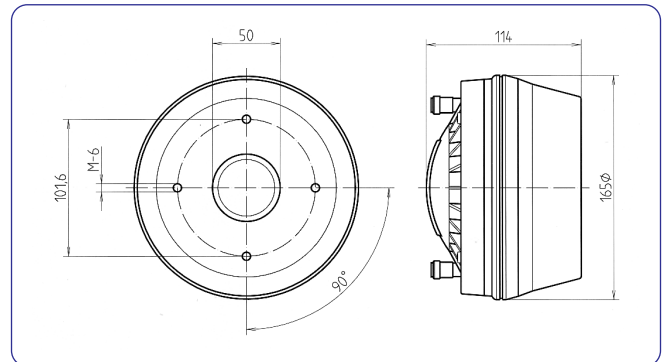


TECHNICAL SPECIFICATIONS

Throat diameter	49 mm. 2 in.
Rated impedance	8 ohms.
Minimum impedance	7.5 ohms. @ 2 kHz
D.C. Resistance	5.6 ohms.
Power Capacity*	65 w AES above 0.5 kHz 130 w AES above 1.5 kHz
Program Power	130 w above 0.5 kHz 260 w above 1.5 kHz
Sensitivity**	112 dB 1w @ 1m coupled to TD-460 horn
Frequency range	0.5 - 20 kHz
Recommended crossover	500 Hz or higher
Voice coil diameter	100 mm. 4 in.
Magnetic assembly weight	3.6 kg. 7.9 lb.
Flux density	2 T
BL factor	16.5 N/A



DIMENSION DRAWINGS



Notes:

*The power capacity is determined according to AES2-1984 (r2003) standard. Program power is defined as the transducer's ability to handle normal music program material.

**Sensitivity was measured at 1 m distance, on axis, with 1 w input, averaged in the range 1-7 kHz

MOUNTING INFORMATION

Overall diameter	165 mm. 6.5 in.
Depth	114 mm. 4.5 in.
Mounting	Four M6 threaded holes, 90° apart on 101.6 mm (4 in.) diameter circle. Mounting hardware is supplied.
Net weight	4.4 kg. 9.7 lb.
Shipping weight	5 kg. 11 lb.

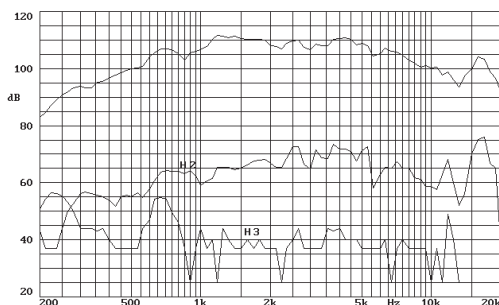
MATERIALS

- **Diaphragm:** Titanium
- **Voice coil:** Edgewound aluminium ribbon
- **Voice coil former:** Kapton
- **Magnet:** Neodymium

GENERAL DESCRIPTION

This 2" professional high quality compression driver features a compact, lightweight neodymium rare-earth magnet system, an integral pure titanium dome and suspension attached to a lightweight aluminium voice coil. It provides an exceptional high acoustic power output over an extremely wide frequency range, with reduced harmonic distortion and excellent power handling capacity. The use of a rim centred diaphragm and push terminals permits simple field replacement without soldering.

FREQUENCY RESPONSE AND DISTORTION CURVES



Note: on axis frequency response measured coupled to TD590 horn in anechoic chamber, 1w @ 1m

FREE AIR IMPEDANCE CURVE

